

SIGN SYSTEM

SIGN BOLLARD - HEAVY

SPECIFICATIONS:

SIGN POST / BOLLARD

MATERIAL:

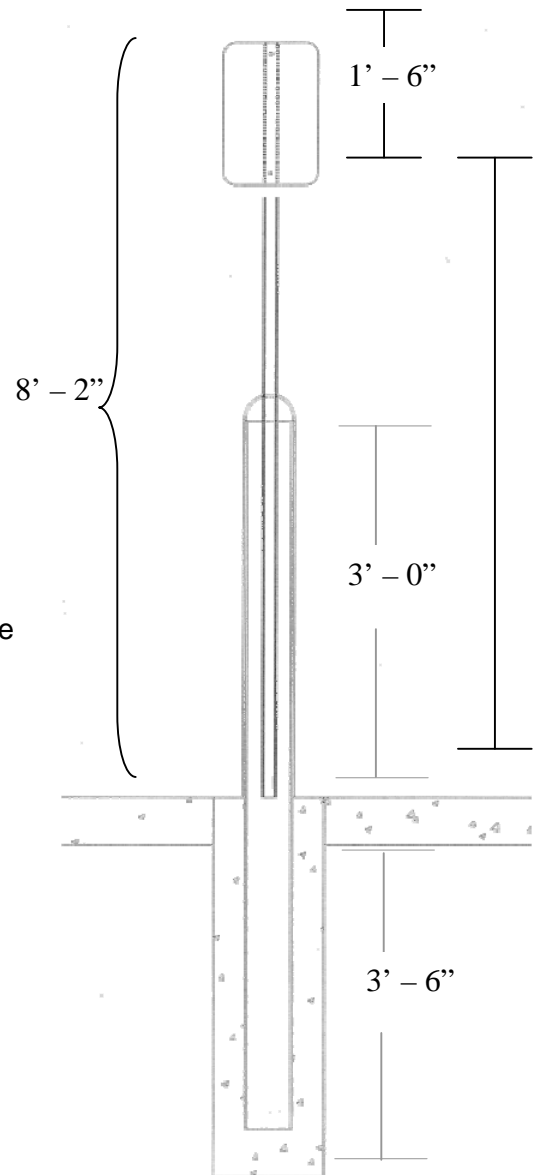
1.66 O.D. 14 Gage Sign Post, 8' Long
Hi-Density Polyethylene Thermoplastic,
1.90" OD, 1/8" Nominal Wall Thickness
W/Ultra-Violet and Anti-Static Additives
Standard Color OSHA Yellow, Other Colors Available
Plastic Cap
Standard 3/8" holes
6" Bollard, Schedule 40 Steel

BUMPER POST SLEEVE:

Dome Top -- Lo-Density
Thermoplastic Polyethylene (LDPE)
W/ Ultra-Violet And Anti-Static Additives
.250 Nominal Wall Thickness

OTHER OPTIONS:

Signs and Hardware Available for an Additional Charge



Ideal Shield, L.L.C.
2525 Clark Street* Detroit, MI 48209
Phone (313) 842-7290 * Fax (313) 842-7860
www.idealshield.com

SIGN SYSTEM

SIGN BOLLARD - STANDARD

SPECIFICATIONS:

SIGN POST / BOLLARD

MATERIAL:

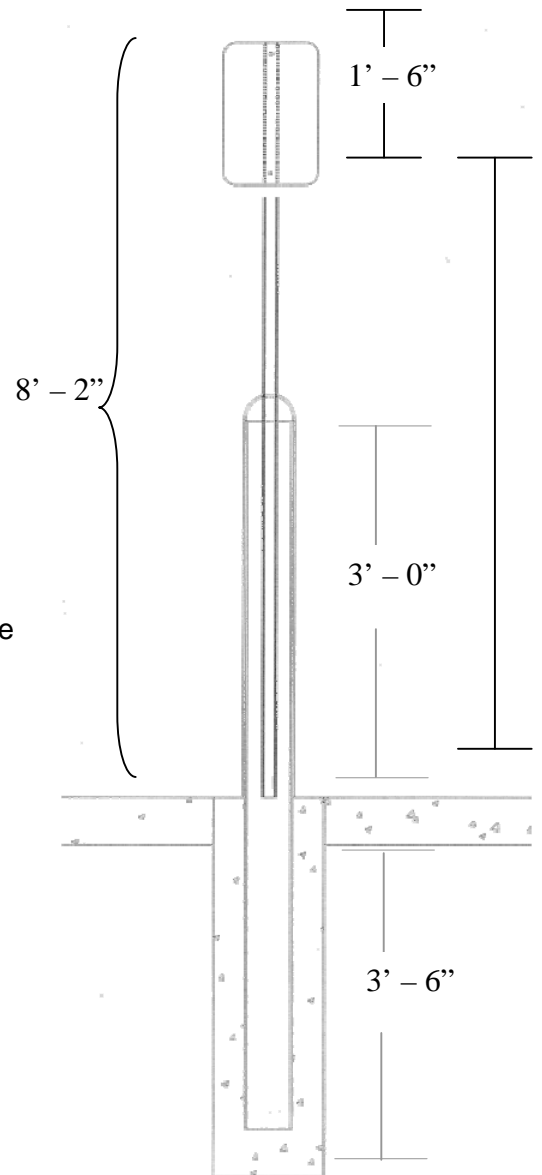
1.66 O.D. 14 Gage Sign Post, 8' Long
Hi-Density Polyethylene Thermoplastic,
1.90" OD, 1/8" Nominal Wall Thickness
W/ Ultra-Violet and Anti-Static Additives
Standard Color OSHA Yellow, Other Colors Available
Plastic Cap
Standard 3/8" holes
6" Bollard, Schedule 40 Steel

BUMPER POST SLEEVE:

Dome Top -- Lo-Density
Thermoplastic Polyethylene (LDPE)
W/ Ultra-Violet And Anti-Static Additives
.250 Nominal Wall Thickness

OTHER OPTIONS:

Signs and Hardware Available for an Additional Charge



Ideal Shield, L.L.C.
2525 Clark Street* Detroit, MI 48209
Phone (313) 842-7290 * Fax (313) 842-7860
www.idealshield.com