

Never Paint Again! SQUARE POST SLEEVE

Patented and Patents Pending

SPECIFICATIONS:

SQUARE POST SLEEVE

MATERIALS:

Thermoplastic Polyethylene (LDPE)
 W/ Ultra-Violet And Anti-Static Additives
 .250 Nominal Wall Thickness

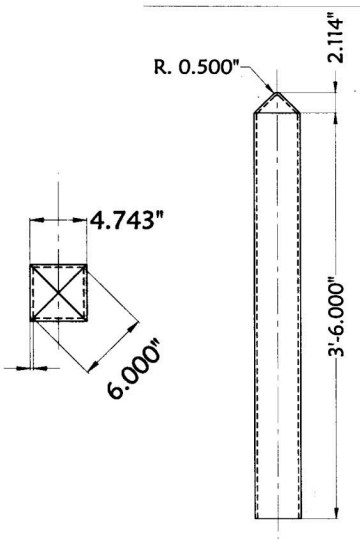
STOCK UNIT SIZES TO SHIELD

THE FOLLOWING PIPE DIAMETERS:

4 - 4 ½"

OTHER OPTIONS:

Custom Logos, heights and colors available
 Call for special pricing on Logos. There is a \$50.00
 color charge for Ideal Sleeve custom color
 orders of 50 or fewer. Logo charges



BUMPER POST SLEEVE

LINE #	FITS PIPE Diameter	PART NUMBER	HEIGHT	U/M	LIST
001300	4 - 4 ½"	SQUARE-YL-4-42-S	42"		