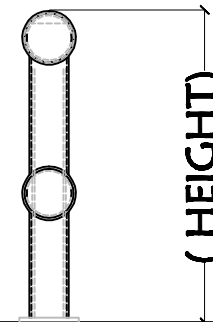
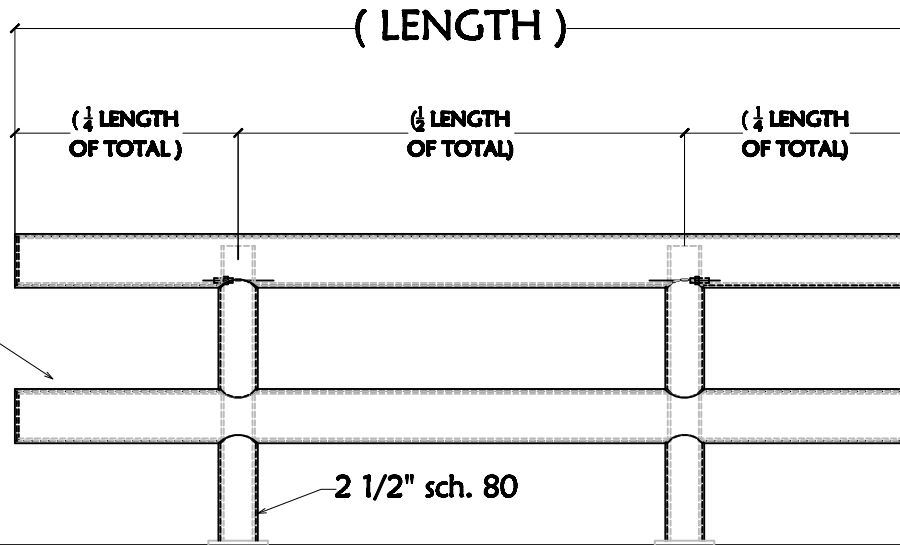
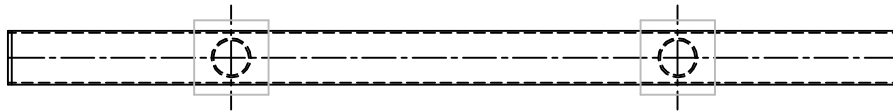


LENGTH: 4'-0
 6'-0
 8'-0
 10'-0
 CUSTOM: _____

HEIGHT: 27"
 36"
 42"
 CUSTOM: _____



4" sch. 40

2 1/2" sch. 80

1/2" x 8" x 8"
 Base Plate

THIS DRAWING AND ALL THE INFORMATION THEREIN IS THE PROPERTY OF THE IDEAL SHIELD. IS CONFIDENTIAL AND MUST NOT BE MADE PUBLIC, NOR COPIED, NOR USED, TO THE DISADVANTAGE OF SAID IDEAL SHIELD AND IS SUBJECT TO RETURN ON DEMAND.
 COPYRIGHT 2003 IDEAL SHIELD

NOL	REVISIONS	DATE	APPROVED

IDEAL SHIELD
 2525 Clark St.
 Detroit, MI 48209

PROJECT _____

CUSTOMER _____

DESCRIPTION
 IDEAL SHIELD
 STANDARD GUARDRAIL
 2- LINE
 CORED

DRAWN BY	APPROVED BY	DATE
ECW		
PROJECT NO.		