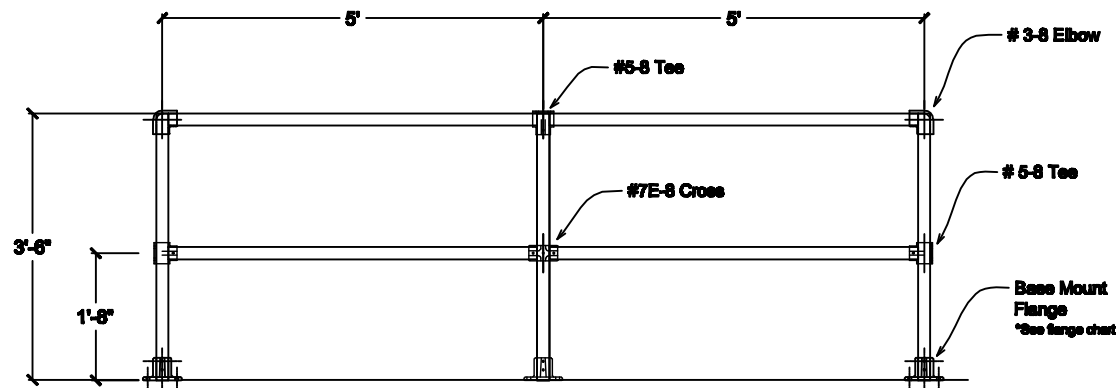
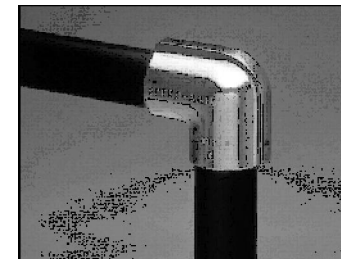


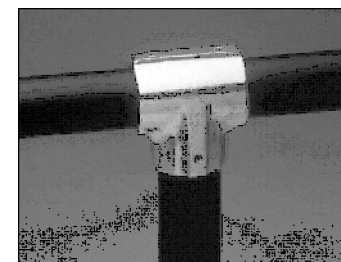
Cored Handrail



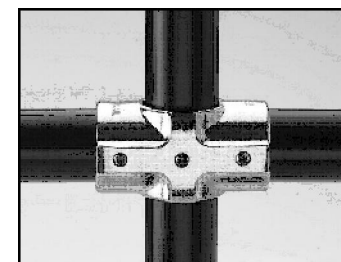
Plated Mount Handrail



#3-8 Elbow



#5-8 Tee



#7E-8 Cross

THIS DRAWING AND ALL THE INFORMATION THEREIN IS THE PROPERTY OF THE IDEAL SHIELD. IS CONFIDENTIAL AND MUST NOT BE MADE PUBLIC, NOR COPIED, NOR USED, TO THE DISADVANTAGE OF SAID IDEAL SHIELD AND IS SUBJECT TO RETURN ON DEMAND.  
COPYRIGHT 2004, IDEAL SHIELD

NO.	REVISIONS	DATE	APPROVED

**IDEAL SHIELD**  
2525 Clark St.  
Detroit, MI 48209

PROJECT

CUSTOMER

DESCRIPTION  
Ideal Shield  
2 line Pipe & Plastic Rail  
with Speed Rail Fittings  
Core & Plate Mounted

DRAWN BY ACB	APPROVED BY	DATE
PROJECT NO.		SCALE
ISSUED		DRAWING NO.
REVISION		SHEET 1 OF 1