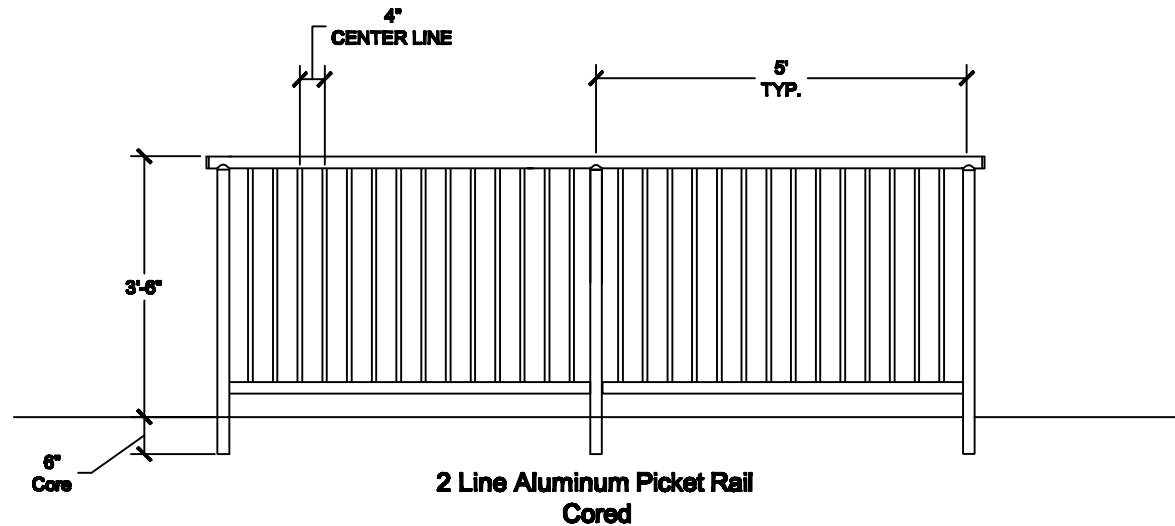


155 Tee



THIS DRAWING AND ALL THE INFORMATION THEREON IS THE PROPERTY OF THE IDEAL SHIELD, IS CONFIDENTIAL, AND MUST NOT BE MADE PUBLIC, NOR COPIED, NOR USED, TO THE DISADVANTAGE OF SAID IDEAL SHIELD AND IS SUBJECT TO RETURN ON DEMAND.

COPYRIGHT 2004, IDEAL SHIELD

NO.	REVISIONS	DATE	APPROVED


 2525 Clark St.
 Detroit, MI 48209

PROJECT

CUSTOMER

DESCRIPTION
 Ideal Shield
 2 line aluminum
 with pickets
 Core & Plate Mounted

DRAWN BY	APPROVED BY	DATE
ACB		
PROJECT NO.	DRAWN	
-	NA	
FIELD	DRAWING NO.	
TOTAL	SHEET	OF
	1	1