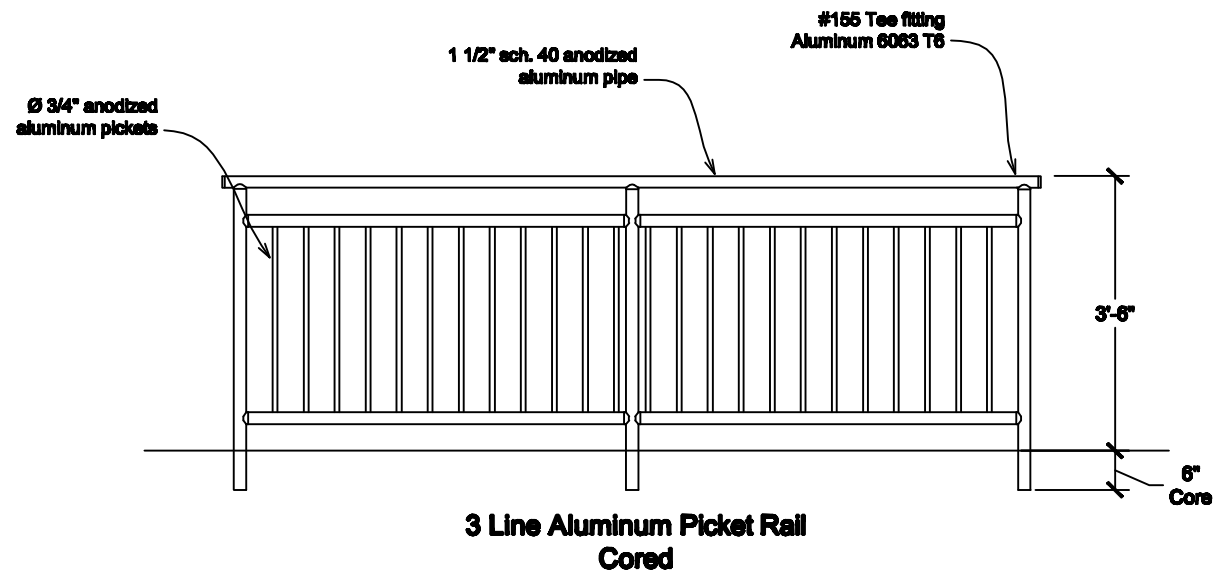


155 Tee



THIS DRAWING AND ALL THE INFORMATION THEREIN IS THE PROPERTY OF THE IDEAL SHIELD, IS CONFIDENTIAL AND MUST NOT BE MADE PUBLIC, NOR COPIED, NOR USED, TO THE DISADVANTAGE OF SAID IDEAL SHIELD AND IS SUBJECT TO RETURN ON DEMAND.
 COPYRIGHT 2003, IDEAL SHIELD

NO.	REVISIONS	DATE	APPROVED

IDEAL SHIELD
 2525 Clark St.
 Detroit, MI 48209

PROJECT

CUSTOMER

DESCRIPTION
 Ideal Shield
 3 line aluminum
 with pickets
 Core & Plate Mount

DRAWN BY	APPROVED BY	DATE
ACB		
PROJECT NO.		SCALE
DRAWING NO.		