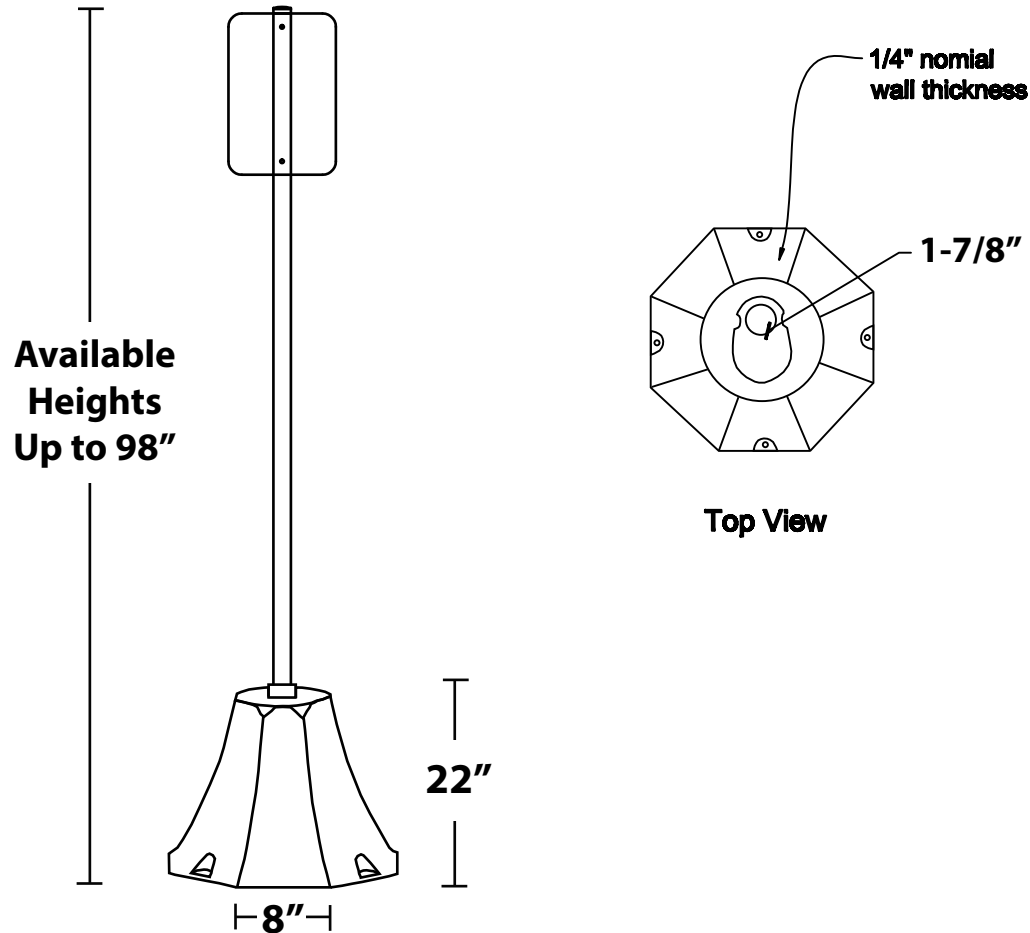


# Sign Base - Octagon Product Specifications



## SPECIFICATIONS

### Sign Base Material:

1/4" Nominal Wall Thickness  
 Low-Density Polyethylene Thermoplastic  
 w/Ultra-Violet and Anti-Static Additives

### Sign Base Dimensions:

22" H x 8" W each side

### Weight:

45 lbs. with pole

### Colors:

Standard colors: OSHA Yellow, Blue or Red  
 Custom colors available

### Height:

Standard Height is 98" without wheels

### Installation:

Fill with concrete, sand or water  
 Up to 11.5 Gal. of water (approx. 96 lbs.)

THIS DRAWING AND ALL THE INFORMATION THEREON IS THE PROPERTY OF THE IDEAL SHIELD. IS CONFIDENTIAL AND MUST NOT BE MADE PUBLIC, NOR COPIED, NOR USED, TO THE DISADVANTAGE OF SAID IDEAL SHIELD AND IS SUBJECT TO RETURN ON DEMAND.  
 COPYRIGHT 2003 .  
 IDEAL SHIELD

NO.	REVISIONS	DATE	APPROVED

  
 2525 Clark St.  
 Detroit, MI 48209

PROJECT

CUSTOMER

DESCRIPTION
Sign Base - Octagon

DRAWN BY:	APPROVED BY:	DATE:
PROJECT NO:		SCALE:
GENERA:		DRAWING NO:
TOTALS:	SHEET	OF
	1	1