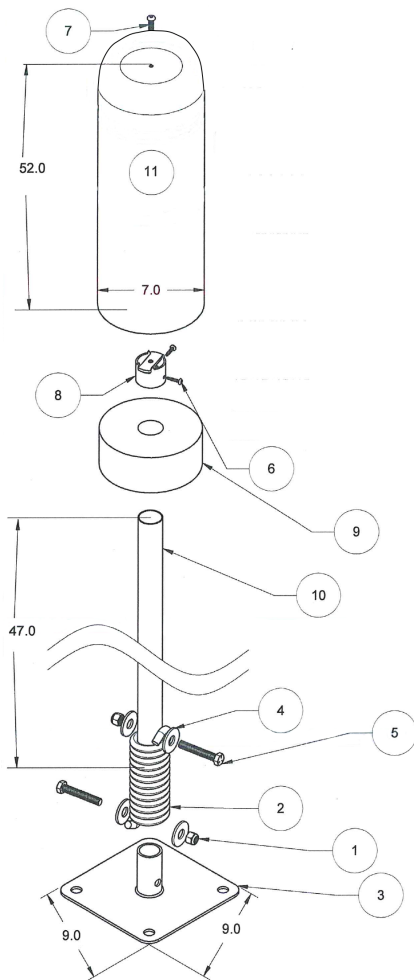


Item Number	Quantity	Part Number	Part Name	Revision	Comment
1	2	37030	Hex Locknut - Zinc		
2	1	RE-SK	Torsion Spring		
3	1	RE-BP	Base Plate		
4	4	33012	.5" Flat Washer - Zinc		
5	2	13824	3" Hex Bolt - Zinc		
6	2	11253669	10-6 x .5" Tap Screw		
7	1	73780	5/16-18x1 Butt. Cap Screw		
8	1	FP-RTC	Bollard Cap		
9	1	RE-FR-7	7" Foam Spacer Ring		
10	1	RE-47P	47" Steel Post		
11	1	RE-BC(52)	Ideal Shield Bollard Cover 52" x 7"		



		ideaSHIELD®		
		Ideal Flex Bollard		
		Size: A	STD - C - 6	Sheet 1 of 1

