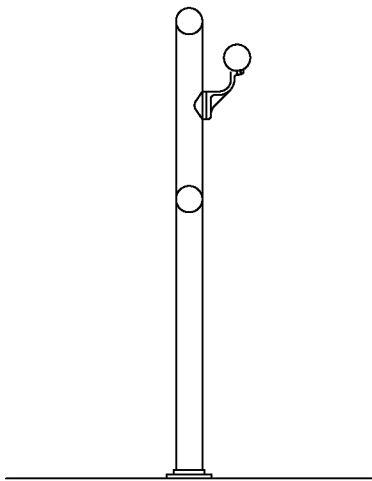


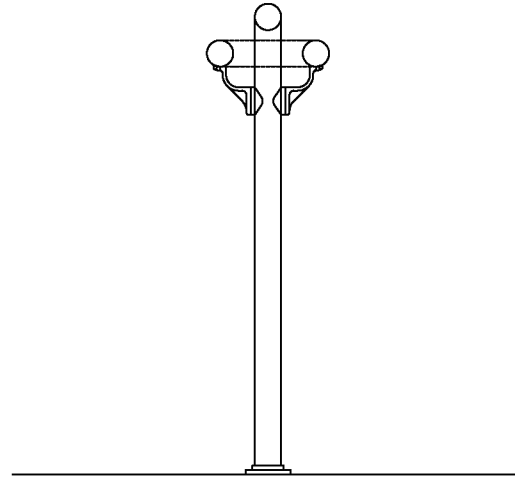


# ADA RAIL

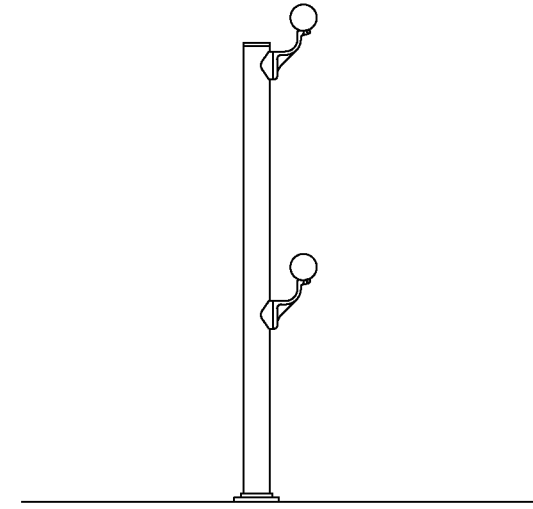
**Style #1**



**Style #2**



**Style #3**



**2 Line with Grab Rail**

Materials: Aluminum & Steel

Available with pickets or infill

**Post with Single Offset**

Material: Aluminum

**Post with 2 Rail Offset**

Material: Aluminum

**\*Please consult city inspector for up to date ADA specifications prior to installation**

THIS DRAWING AND ALL THE INFORMATION THEREON IS THE PROPERTY OF THE IDEAL SHIELD, IS CONFIDENTIAL AND MUST NOT BE MADE PUBLIC, NOR COPIED, NOR USED, TO THE DISADVANTAGE OF SAID IDEAL SHIELD AND IS SUBJECT TO RETURN ON DEMAND.  
COPYRIGHT 2004 , IDEAL SHIELD

NO.	REVISIONS	DATE	APPROVED

  
 2525 Clark St.  
 Detroit, MI 48209

PROJECT

CUSTOMER

DESCRIPTION  
ADA HANDRAIL TYP. POST

DRAWN BY: GCC	APPROVED BY:	DATE:
PROJECT NO.:		SCALE:
FINISH: CL. ANODIZE		DRAWING NO.:
MATERIAL: 6063-T6		SHEET 1 OF 1