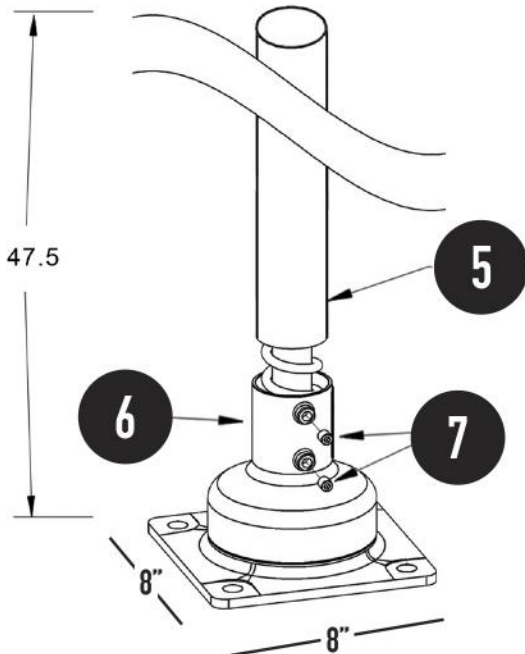
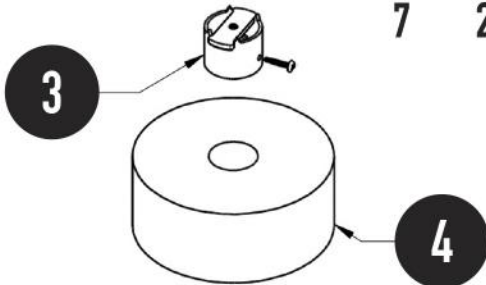


#	Quantity	Part Number	Dimensions & Description
1	1	73780	5/16" - 18" x 1" Hex Drive Cap Screw
2	1	RE-BC52	52" x 7" Bollard Cover
3	1	RE-XL-BC	Anti-Rotate Bollard Cap Kit
4	1	RE-FR-7	7" Foam Spacer Ring
5	1	RE-XL-47P	47.5" x 2 3/8" Steel Post - .055" Wall
6	1	A-XL-SK	8" x 8" Base & Spring Assembly
7	2	1139864	5/16" - 18 x 1/2" Set Screw



CHOICE OF CONCRETE OR ASPHALT ANCHORING SYSTEM

REFER TO THE NEXT PAGE FOR ANCHORING INSTRUCTIONS



+ BOLLARD

**Heavy Duty
Flexpost Bollard**