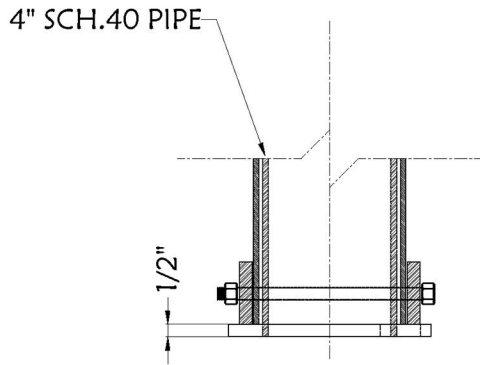
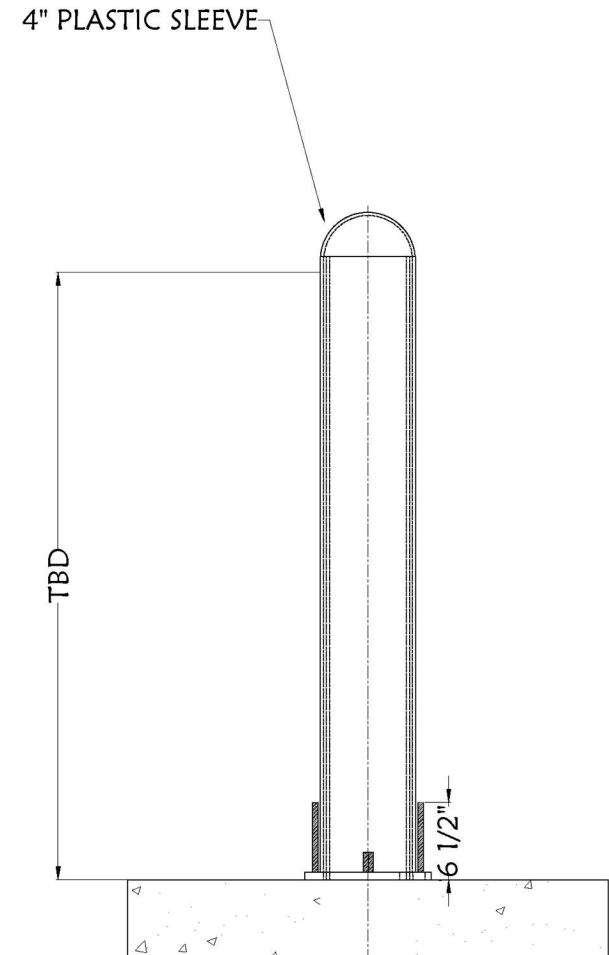
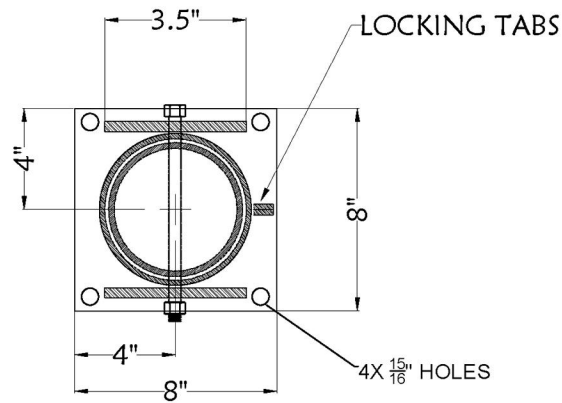




# COLLAPSIBLE LOCKING BOLLARD



BASE DETAIL



Company: \_\_\_\_\_  
Project: \_\_\_\_\_  
Name: \_\_\_\_\_

Phone #: \_\_\_\_\_  
Email : \_\_\_\_\_  
Address: \_\_\_\_\_