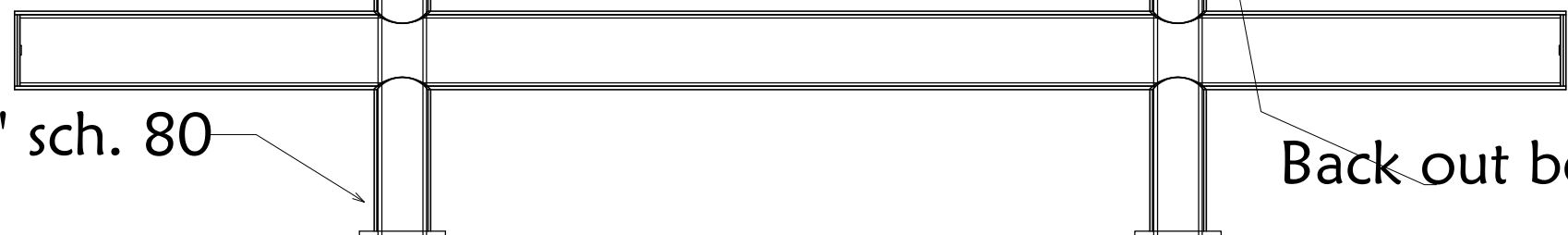
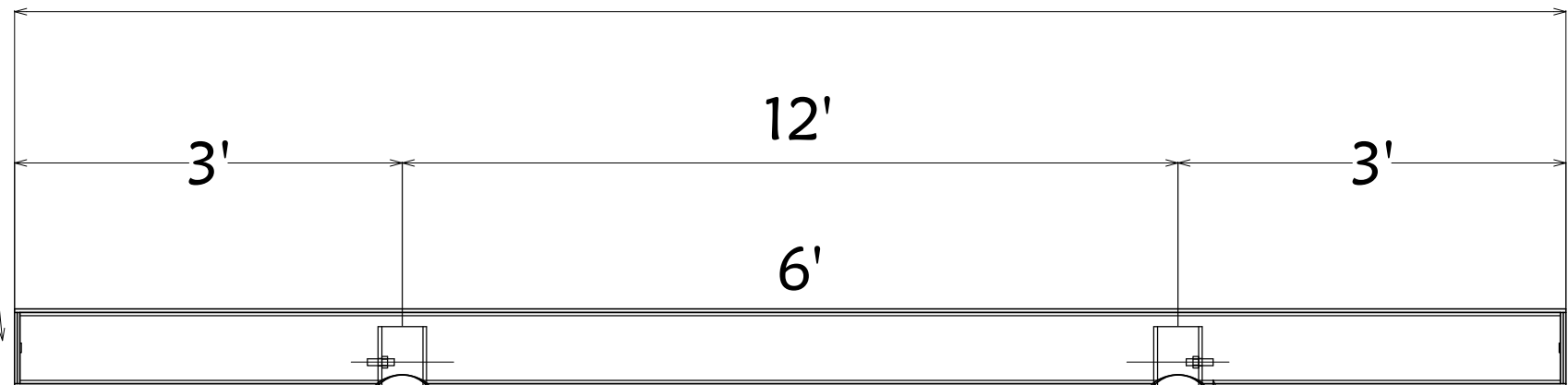
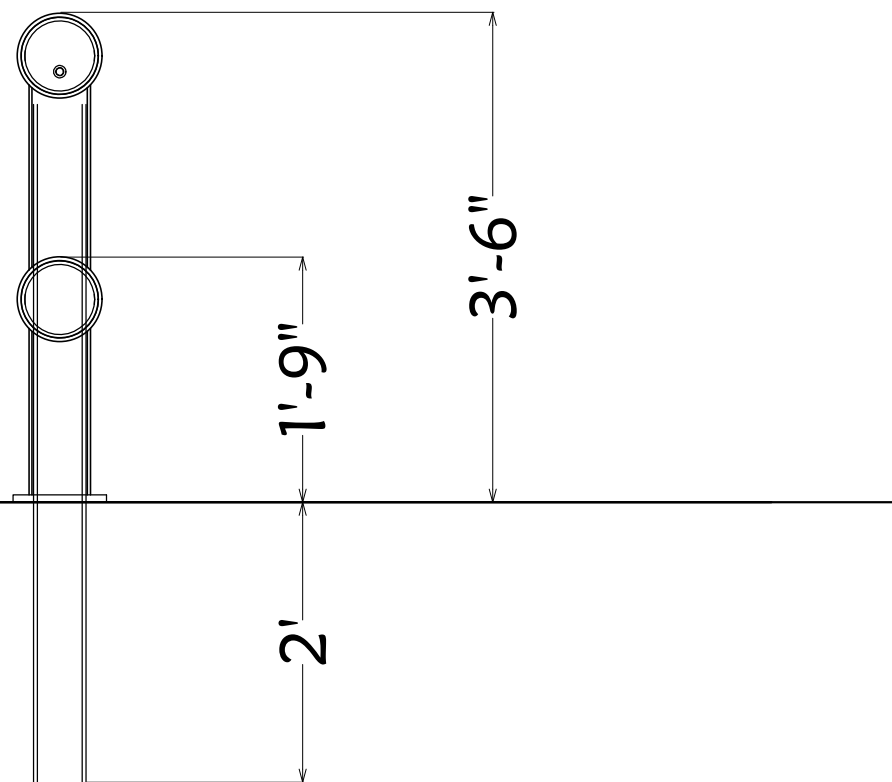


6" sch. 40



Back out bolt

4" sch. 80



THIS DRAWING AND ALL THE INFORMATION THEREON IS THE PROPERTY OF THE IDEAL SHIELD, IS CONFIDENTIAL AND MUST NOT BE MADE PUBLIC, NOR COPIED, NOR USED, TO THE DISADVANTAGE OF SAID IDEAL SHIELD AND IS SUBJECT TO RETURN ON DEMAND.

COPYRIGHT 2003 , IDEAL SHIELD

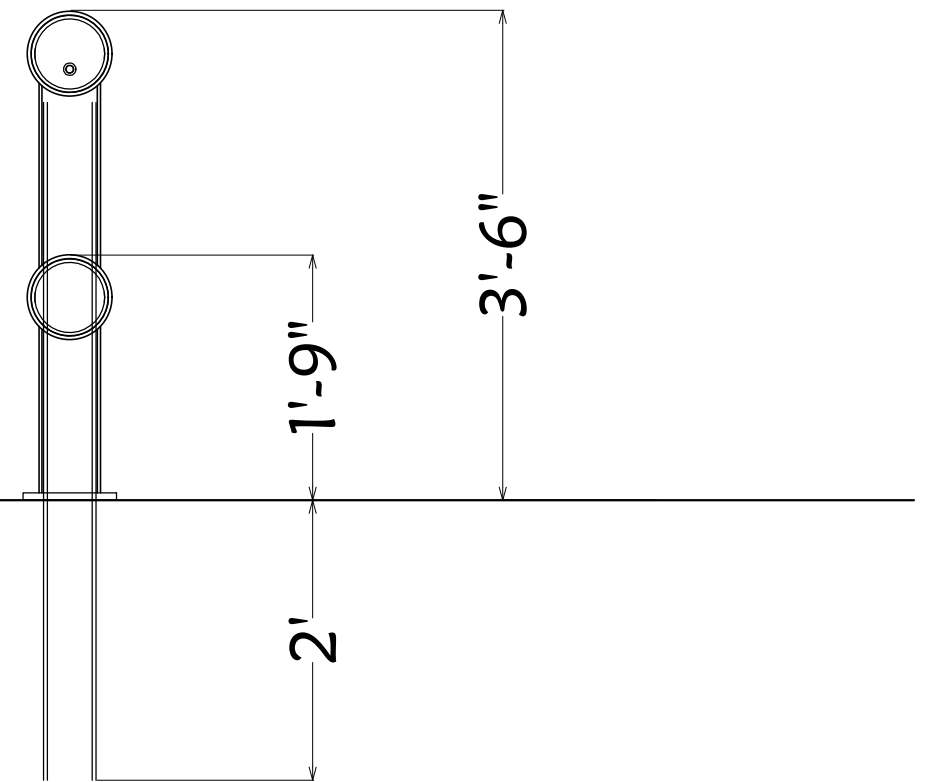
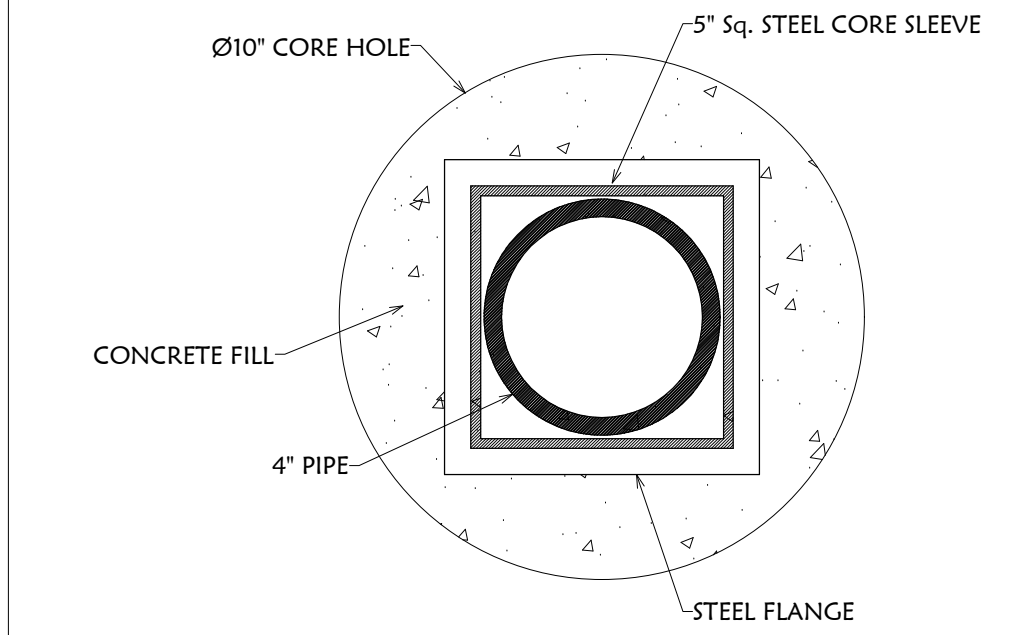
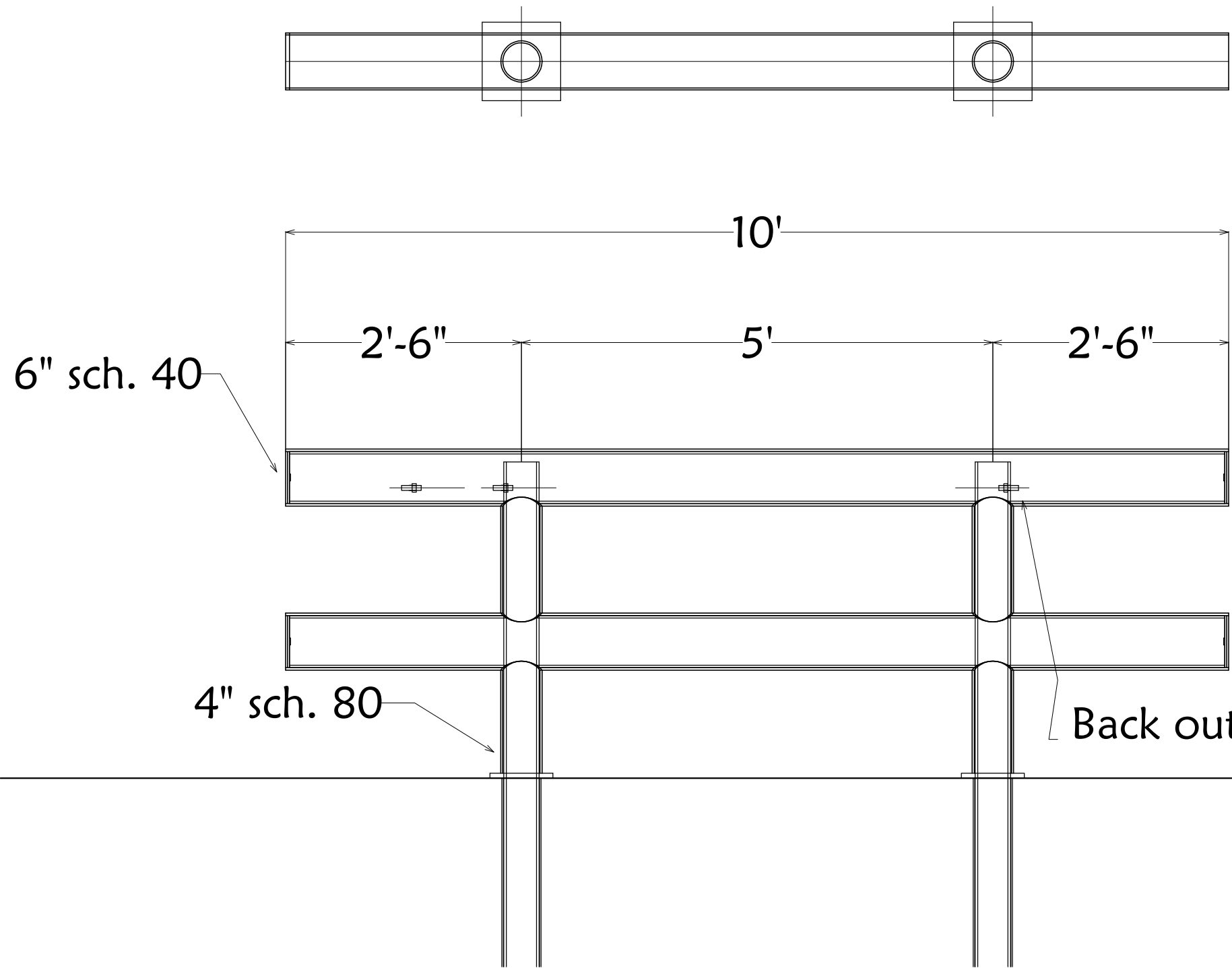
NO.	REVISIONS	DATE	APPROVED

IDEAL SHIELD
 MANUFACTURER OF REAL SHIELD PROTECTIVE GUARDRAIL SYSTEMS
 2525 Clark St.
 Detroit, MI 48209

PROJECT	CUSTOMER

DESCRIPTION
IDEAL SHIELD HEAVY GUARDRAIL 12'

DRAWN BY:	APPROVED BY:	DATE:
GCC		
PROJECT NO:		SCALE:
FINISH:		DRAWING NO:
MATERIAL:		SHEET 1 OF 1
STEEL & HDPE		



THIS DRAWING AND ALL THE INFORMATION THEREON IS THE PROPERTY OF THE IDEAL SHIELD, IS CONFIDENTIAL AND MUST NOT BE MADE PUBLIC, NOR COPIED, NOR USED, TO THE DISADVANTAGE OF SAID IDEAL SHIELD AND IS SUBJECT TO RETURN ON DEMAND.

COPYRIGHT 2003 , IDEAL SHIELD

NO.	REVISIONS	DATE	APPROVED

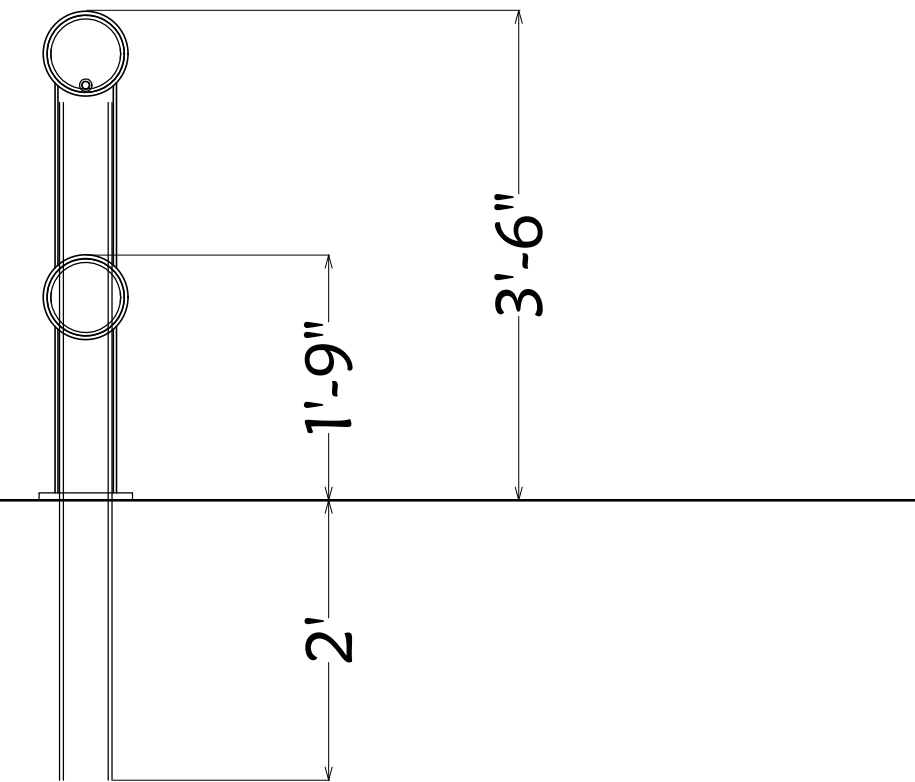
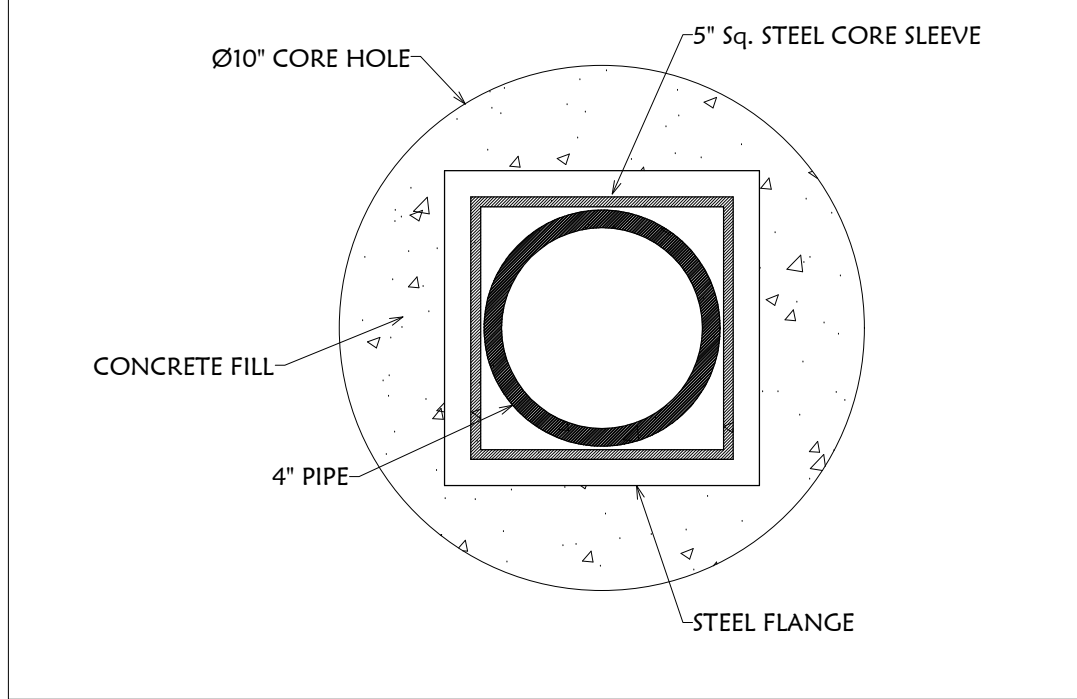
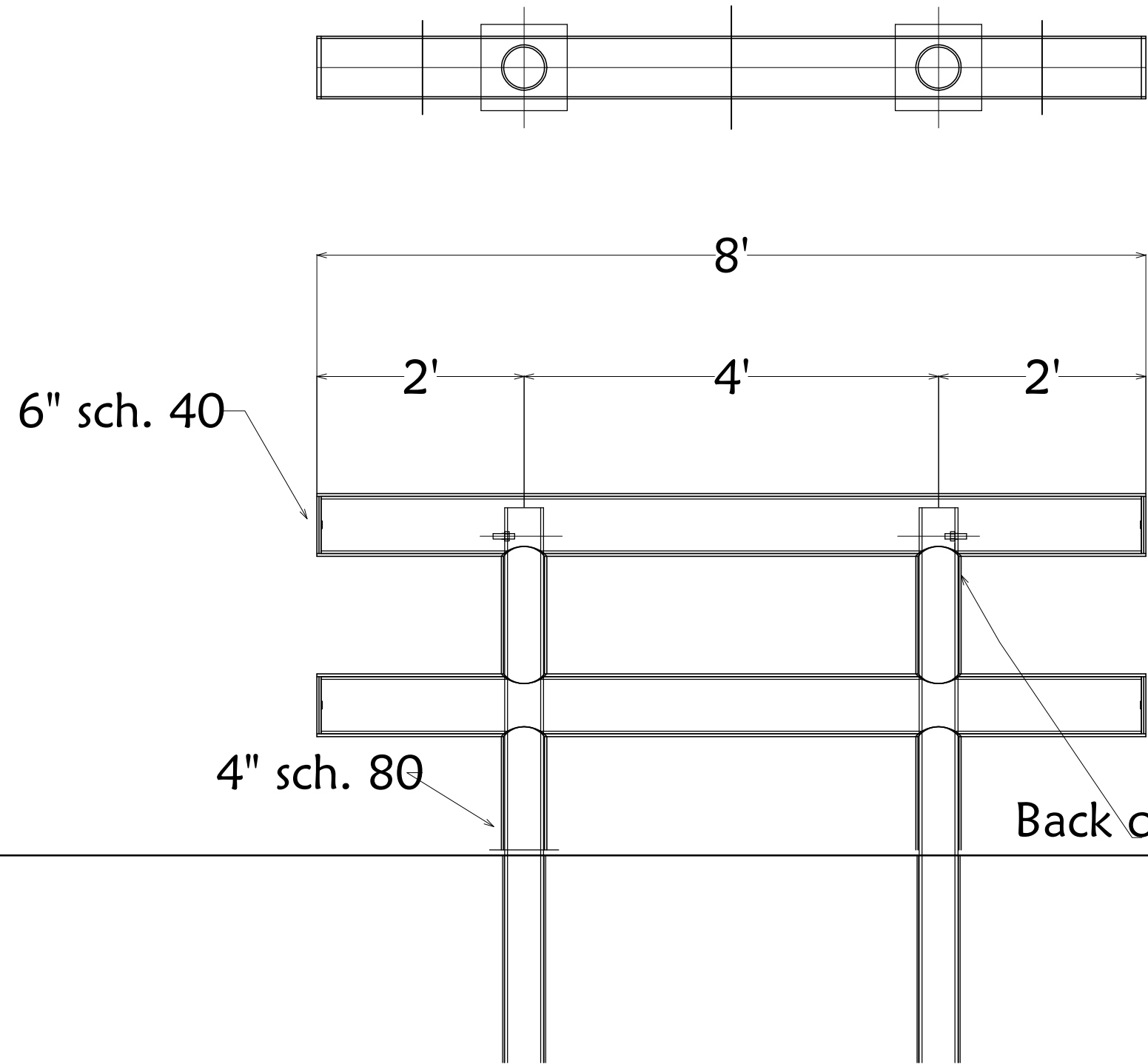
IDEAL SHIELD
MANUFACTURER OF THE IDEAL SHIELD PROTECTIVE GUARD RAIL SYSTEM

2525 Clark St.
 Detroit, MI 48209

PROJECT	CUSTOMER

DESCRIPTION
IDEAL SHIELD HEAVY GUARDRAIL 10'

DRAWN BY:	APPROVED BY:	DATE:
GCC		
PROJECT NO:		SCALE:
FINISH:		DRAWING NO:
MATERIAL:		SHEET 1 OF 1
STEEL & HDPE		



THIS DRAWING AND ALL THE INFORMATION THEREIN IS THE PROPERTY OF THE IDEAL SHIELD, IS CONFIDENTIAL AND MUST NOT BE MADE PUBLIC, NOR COPIED, NOR USED, TO THE DISADVANTAGE OF SAID IDEAL SHIELD AND IS SUBJECT TO RETURN ON DEMAND.

COPYRIGHT 2003 , IDEAL SHIELD

NO.	REVISIONS	DATE	APPROVED

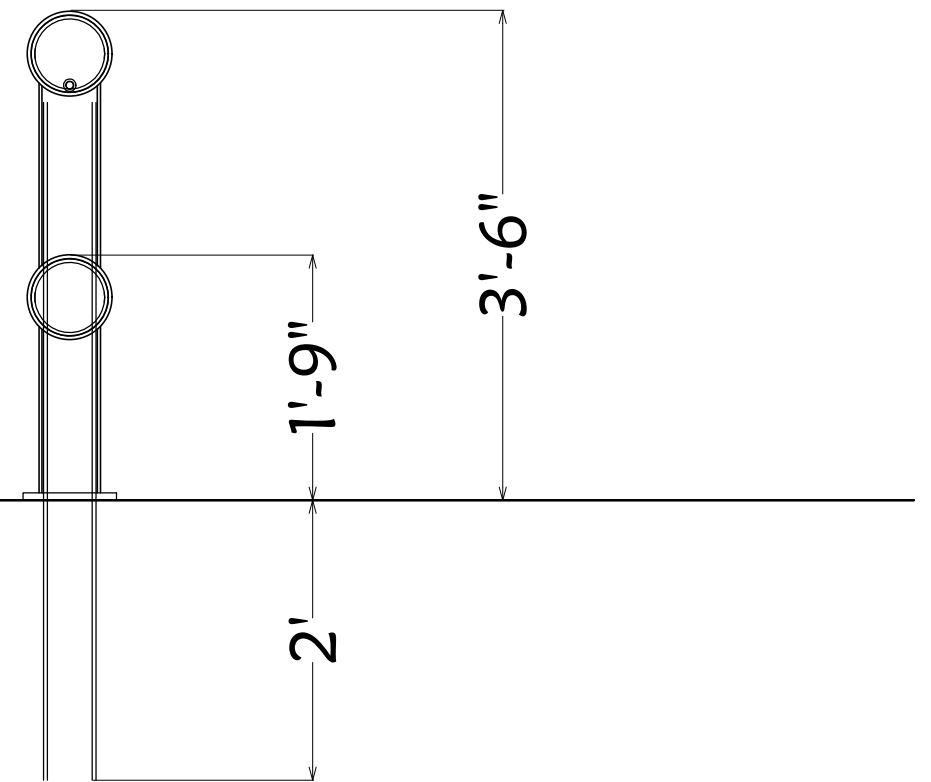
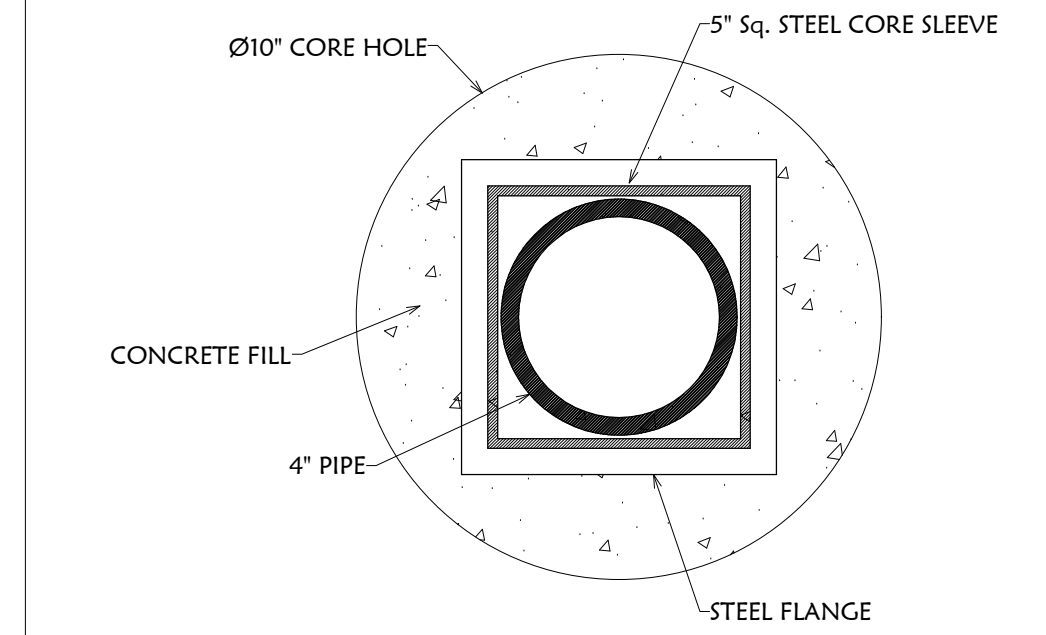
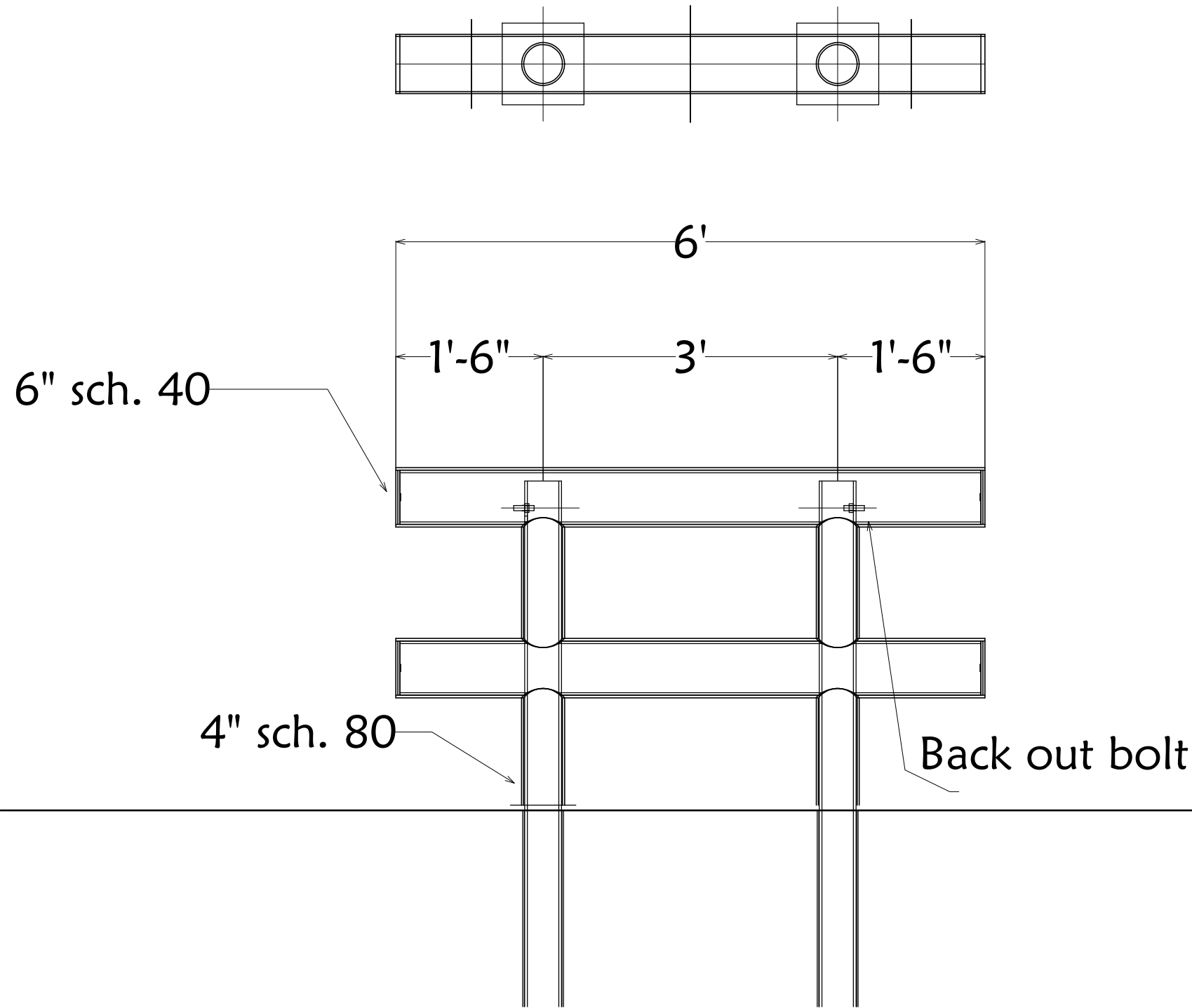
IDEAL SHIELD
MANUFACTURER OF THE IDEAL SHIELD PROTECTIVE GUARDRAIL SYSTEM

2525 Clark St.
 Detroit, MI 48209

PROJECT	CUSTOMER

DESCRIPTION
IDEAL SHIELD HEAVY GUARDRAIL 8'

DRAWN BY:	APPROVED BY:	DATE:
GCC		
PROJECT NO:		SCALE:
FINISH:		DRAWING NO:
MATERIAL:		SHEET 1 OF 1
STEEL & HDPE		



THIS DRAWING AND ALL THE INFORMATION THEREON IS THE PROPERTY OF THE IDEAL SHIELD, IS CONFIDENTIAL AND MUST NOT BE MADE PUBLIC, NOR COPIED, NOR USED, TO THE DISADVANTAGE OF SAID IDEAL SHIELD AND IS SUBJECT TO RETURN ON DEMAND.

COPYRIGHT 2003 ,
IDEAL SHIELD

NO.	REVISIONS	DATE	APPROVED

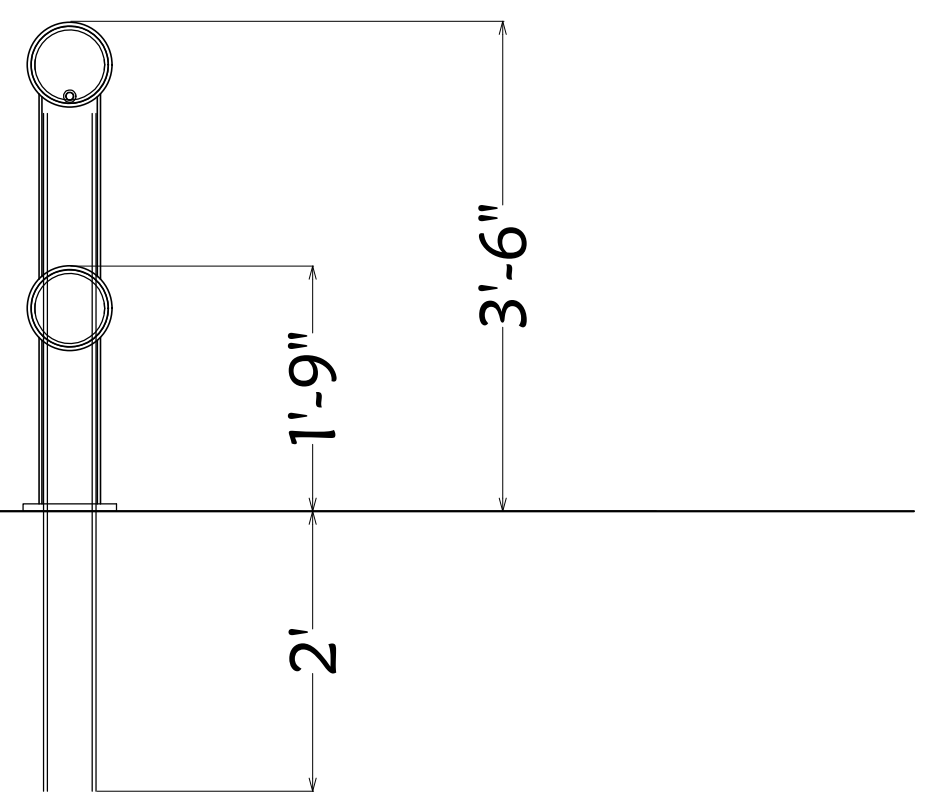
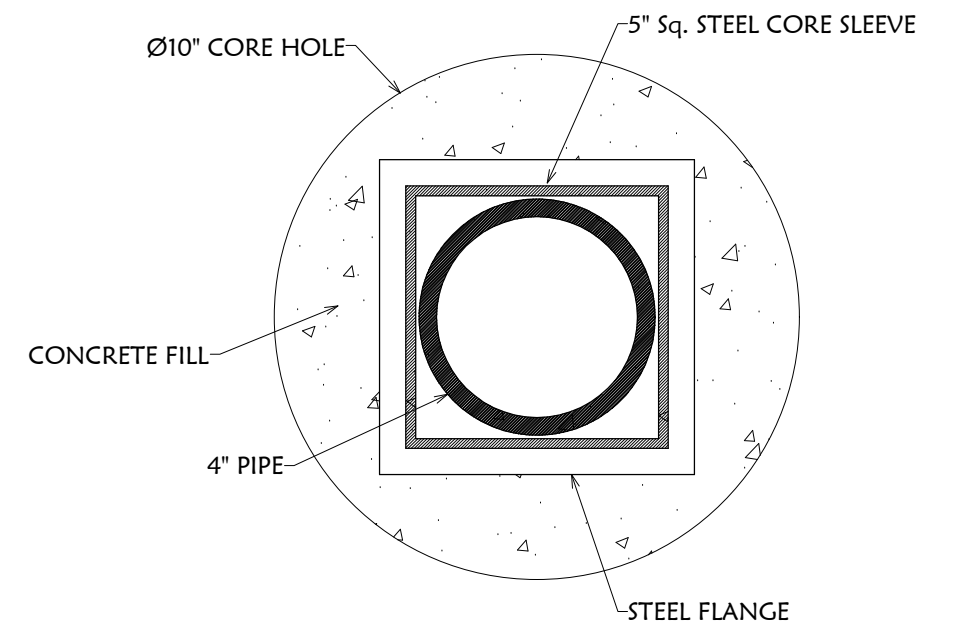
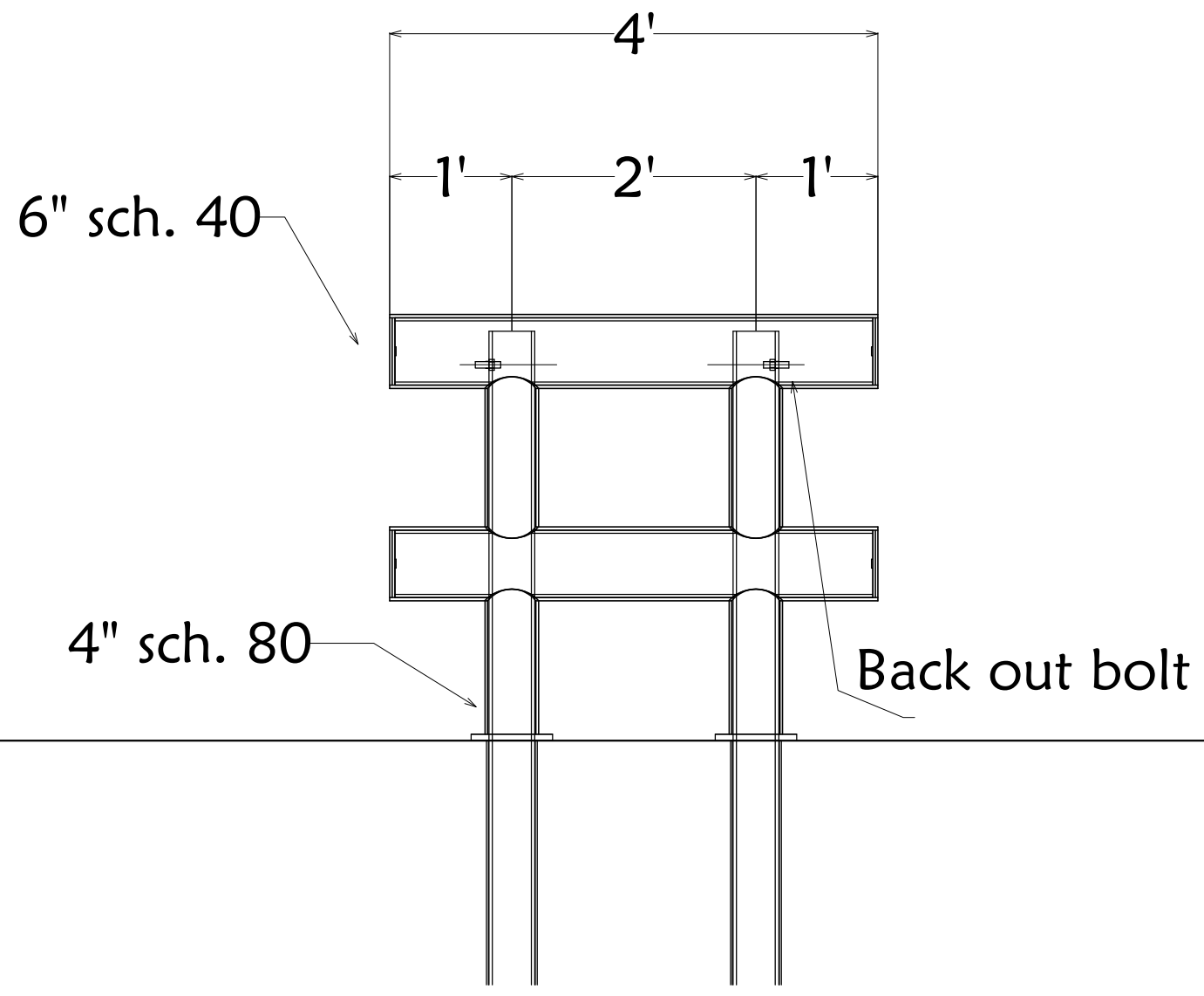
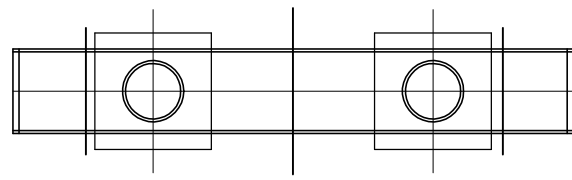
IDEAL SHIELD
MANUFACTURER OF THE IDEAL SHIELD PROTECTIVE GUARD RAIL SYSTEM

2525 Clark St.
 Detroit, MI 48209

PROJECT	CUSTOMER	DESCRIPTION

DESCRIPTION
IDEAL SHIELD HEAVY GUARDRAIL 6'

DRAWN BY:	APPROVED BY:	DATE:
GCC		
PROJECT NO.:		SCALE:
FINISH:		DRAWING NO.:
MATERIAL:		SHEET 1 OF 1
STEEL & HDPE		



THIS DRAWING AND ALL THE INFORMATION THEREON IS THE PROPERTY OF THE IDEAL SHIELD, IS CONFIDENTIAL AND MUST NOT BE MADE PUBLIC, NOR COPIED, NOR USED, TO THE DISADVANTAGE OF SAID IDEAL SHIELD AND IS SUBJECT TO RETURN ON DEMAND.

COPYRIGHT 2003 , IDEAL SHIELD

NO.	REVISIONS	DATE	APPROVED

IDEAL SHIELD
 MANUFACTURER OF THE IDEAL SHIELD PROTECTIVE GUARDRAIL SYSTEM
 2525 Clark St.
 Detroit, MI 48209

PROJECT	CUSTOMER	DESCRIPTION
		IDEAL SHIELD HEAVY GUARDRAIL 4'

DRAWN BY:	APPROVED BY:	DATE:
GCC		
PROJECT NO:		SCALE:
FINISH:		DRAWING NO:
MATERIAL:		SHEET 1 OF 1
STEEL & HDPE		