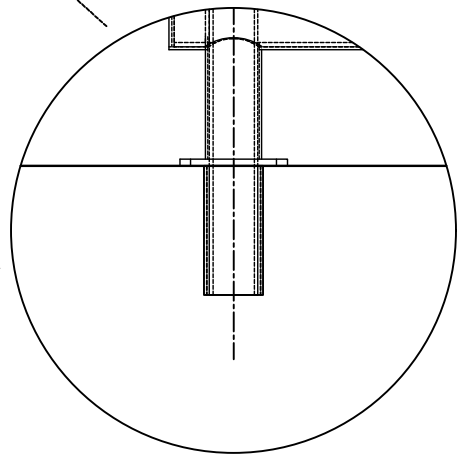


6" SCH 40 RAILS w/
7.25" OD PLASTIC

IN GROUND SWIVEL SLEEVE



ALSO OFFERED WITH CORED OPTION

THIS DRAWING AND ALL THE INFORMATION THEREON IS THE PROPERTY OF THE IDEAL SHIELD, IS CONFIDENTIAL AND MUST NOT BE MADE PUBLIC, NOR COPIED, NOR USED, TO THE DISADVANTAGE OF SAID IDEAL SHIELD AND IS SUBJECT TO RETURN ON DEMAND.
COPYRIGHT 2003, IDEAL SHIELD®

NO.	REVISIONS	DATE	APPROVED

IDEAL SHIELD
 2525 Clark St.
 Detroit, MI 48209

PROJECT

CUSTOMER
APPLIED HANDLING

DESCRIPTION
HGR w/ GATE

DRAWN BY: GCC	APPROVED BY:	DATE: 1/1/2019
PROJECT NO.: -		SCALE: NA
FINISH: HDPE YELLOW PLASTIC	DRAWING NO.: 10002	
MATERIAL: STEEL PIPE & PLASTIC	SHEET 1 OF 1	