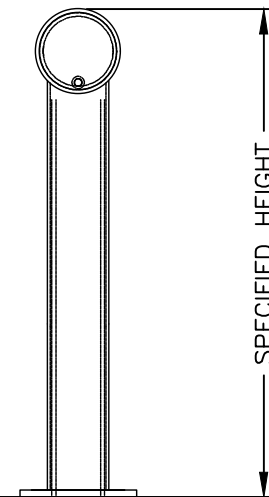
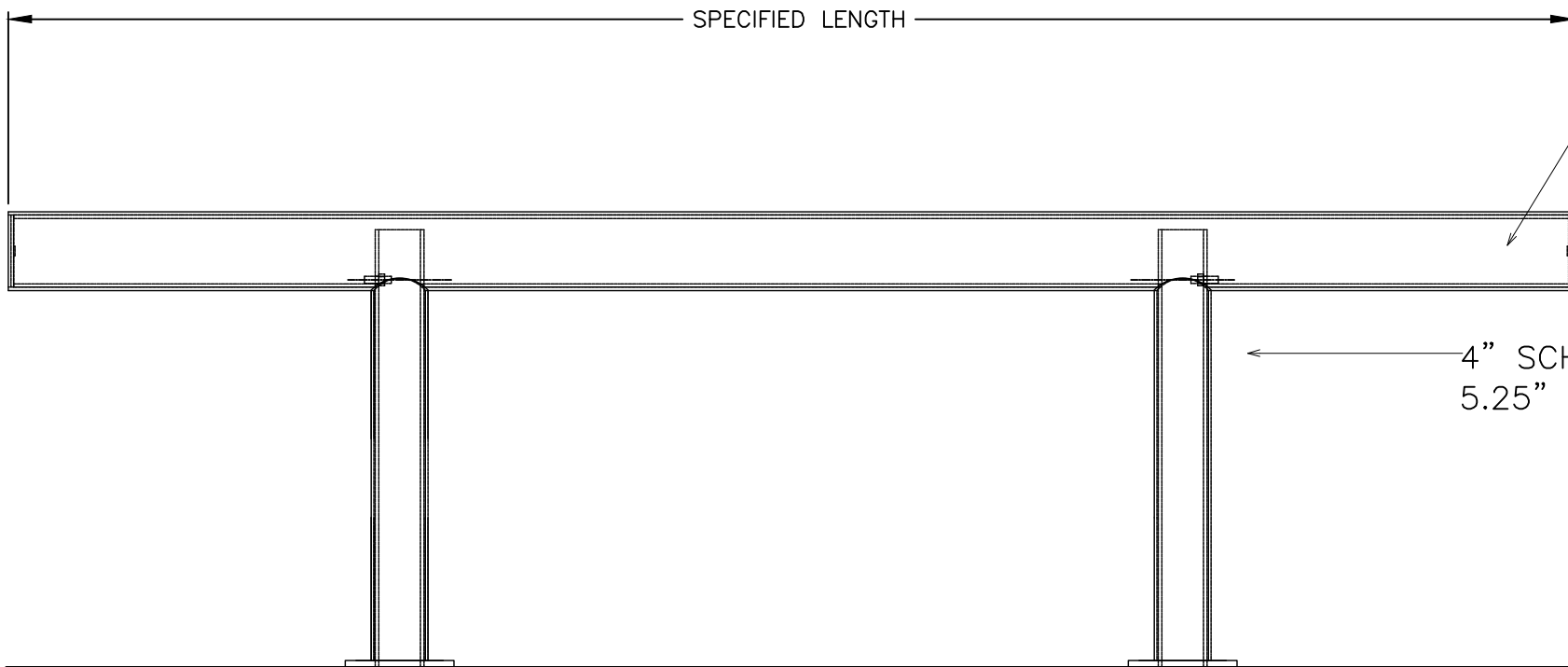
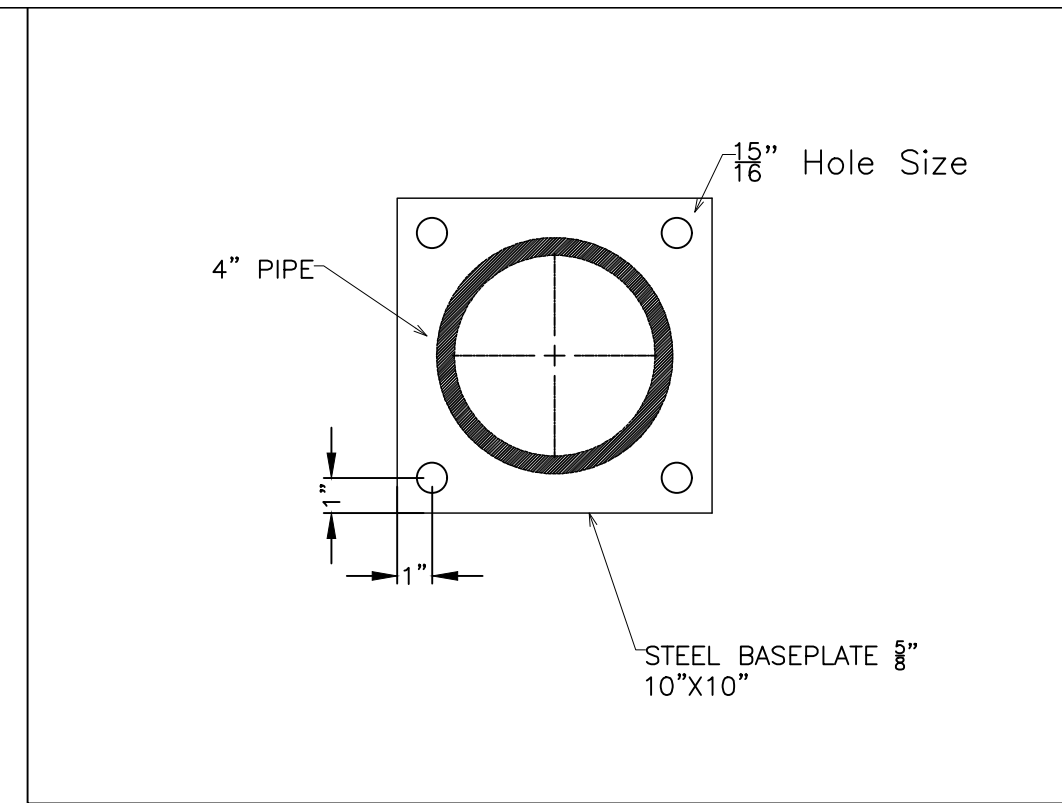
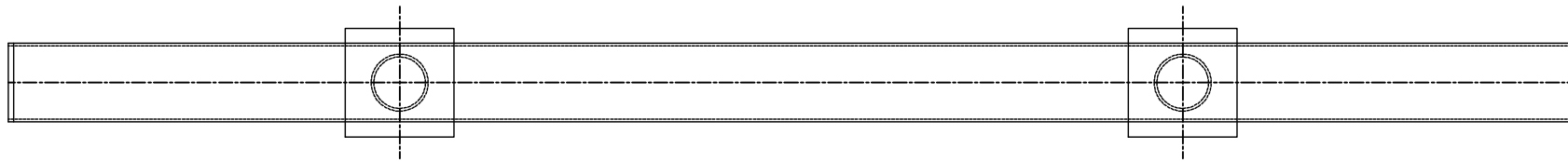


STANDARD LENGTHS	STANDARD HEIGHTS
48", 72", 96", 120", 144"	14 3/4", 27", 36", 42"



THIS DRAWING AND ALL THE INFORMATION THEREON IS THE PROPERTY OF THE IDEAL SHIELD, IS CONFIDENTIAL AND MUST NOT BE MADE PUBLIC, NOR COPIED, NOR USED, TO THE DISADVANTAGE OF SAID IDEAL SHIELD AND IS SUBJECT TO RETURN ON DEMAND.

COPYRIGHT 2019, IDEAL SHIELD®

NO.	REVISIONS	DATE	APPROVED



2525 Clark St.
Detroit, MI 48209

PROJECT	CUSTOMER	DESCRIPTION	DRAWN BY:	APPROVED BY:	DATE:
IDEAL SHIELD HEAVY GUARDRAIL		ONE LINE PLATED	GCC		
			PROJECT NO.:		SCALE:
			FINISH:		DRAWING NO.:
			MATERIAL:		SHEET 1 OF 1
			STEEL & HDPE		