

THIS DRAWING AND ALL THE INFORMATION THEREON IS THE PROPERTY OF THE IDEAL SHIELD. IS CONFIDENTIAL AND MUST NOT BE MADE PUBLIC, NOR COPIED, NOR USED, TO THE DISADVANTAGE OF SAID IDEAL SHIELD AND IS SUBJECT TO RETURN ON DEMAND.
 COPYRIGHT 2003
 IDEAL SHIELD®

NO.	REVISIONS	DATE	APPROVED

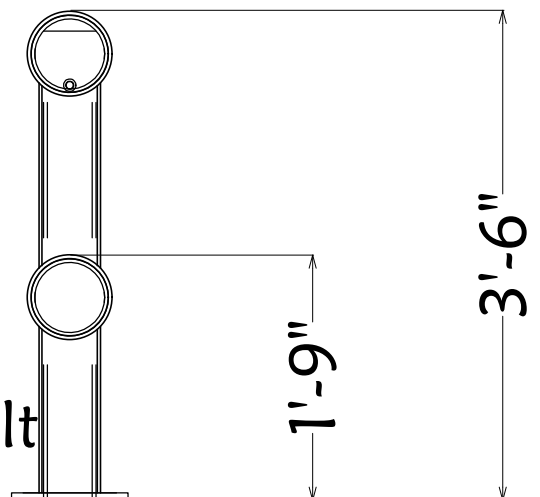
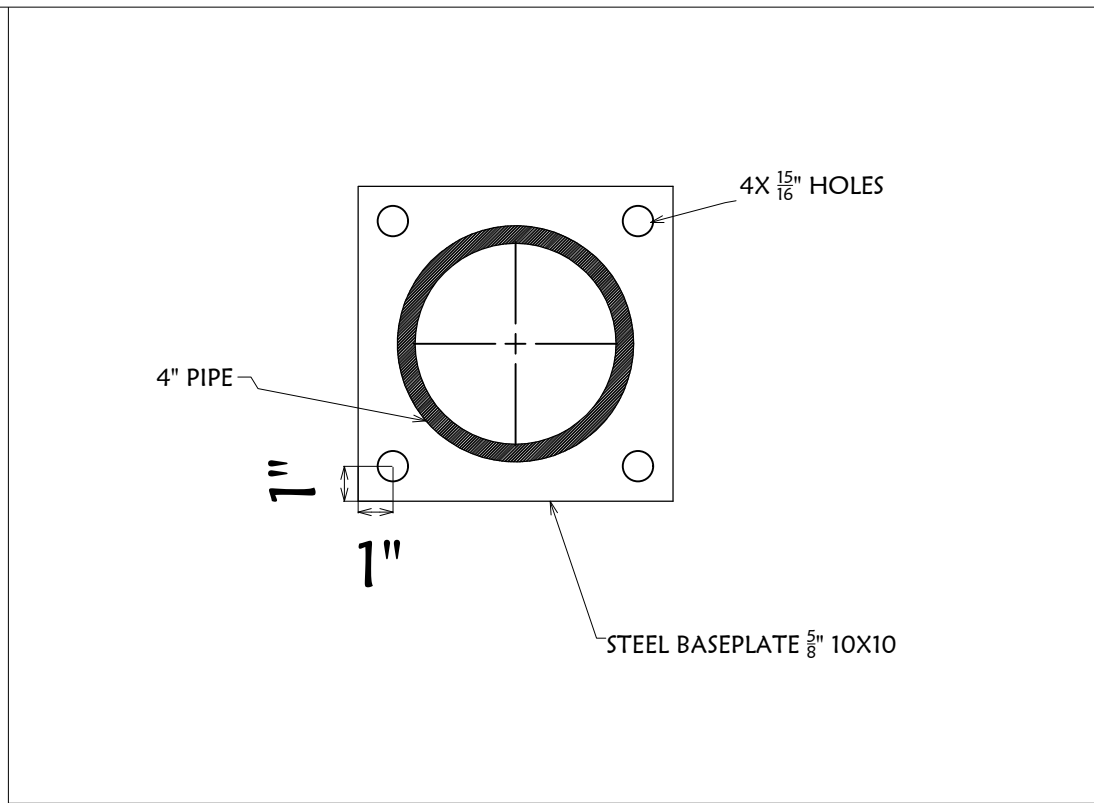
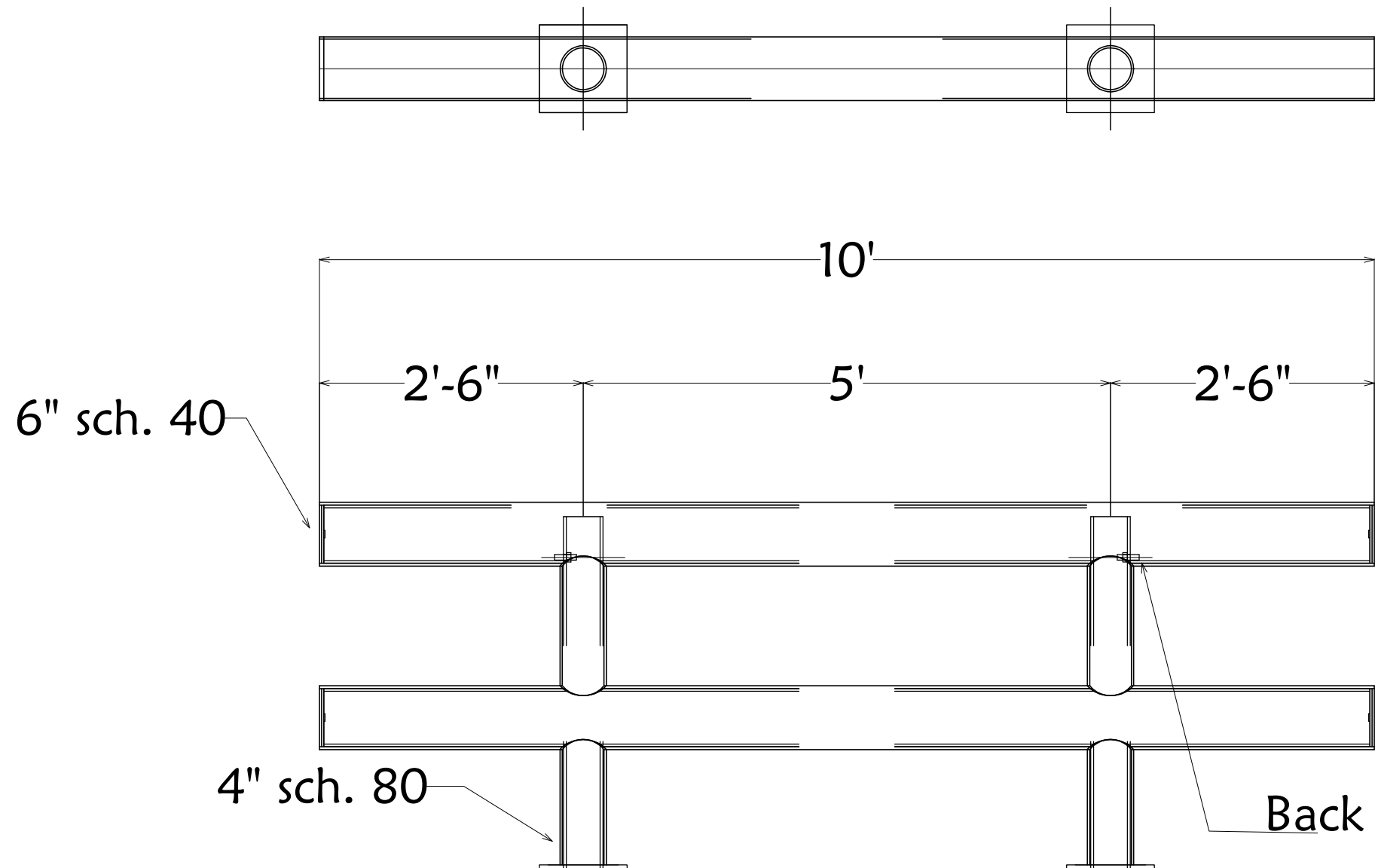

 MANUFACTURER OF IDEAL SHIELD® PROTECTIVE GUARD RAIL SYSTEMS
 2525 Clark St.
 Detroit, MI 48209

PROJECT

CUSTOMER

DESCRIPTION
 IDEAL SHIELD
 HEAVY GUARDRAIL
 12'

DRAWN BY: GCC	APPROVED BY:	DATE:
PROJECT NO.: -		SCALE:
FINISH:		DRAWING NO.:
MATERIAL: STEEL & HDPE	SHEET 1	OF 1



THIS DRAWING AND ALL THE INFORMATION THEREON IS THE PROPERTY OF THE IDEAL SHIELD. IS CONFIDENTIAL AND MUST NOT BE MADE PUBLIC, NOR COPIED, NOR USED, TO THE DISADVANTAGE OF SAID IDEAL SHIELD AND IS SUBJECT TO RETURN ON DEMAND.

COPYRIGHT 2003
IDEAL SHIELD®

NO.	REVISIONS	DATE	APPROVED

MANUFACTURER OF IDEAL SHIELD®
PROTECTIVE GUARD RAIL SYSTEMS

2525 Clark St.
Detroit, MI 48209

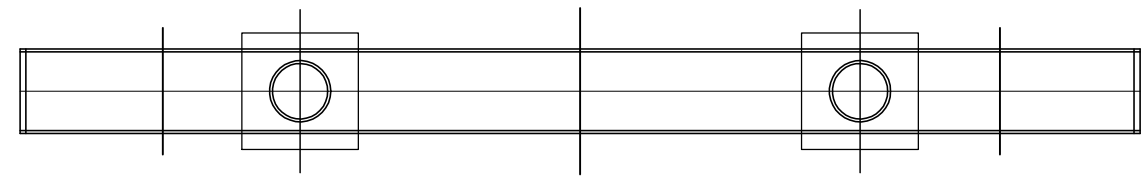
PROJECT

CUSTOMER

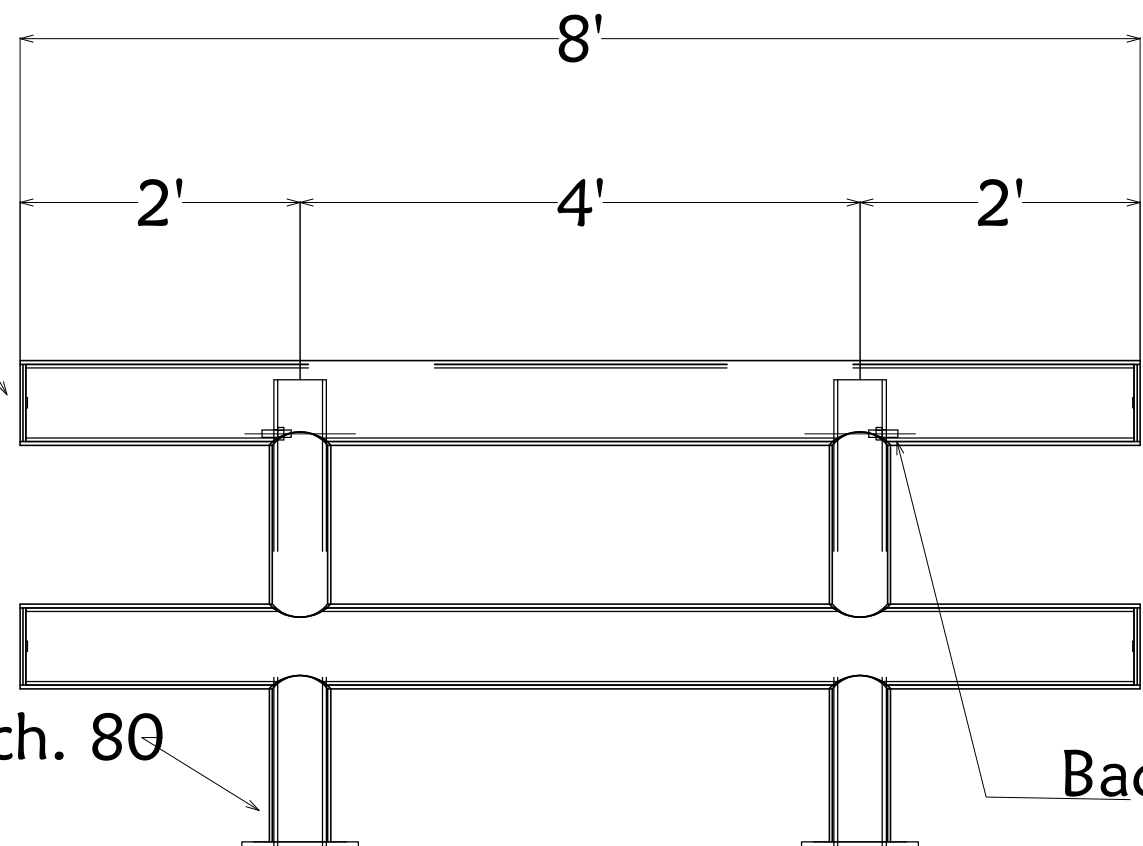
DESCRIPTION

IDEAL SHIELD
HEAVY GUARDRAIL
10'

DRAWN BY: GCC	APPROVED BY:	DATE:
PROJECT NO.: -		SCALE:
FINISH:		DRAWING NO.:
MATERIAL: STEEL & HDPE		SHEET 1 OF 1

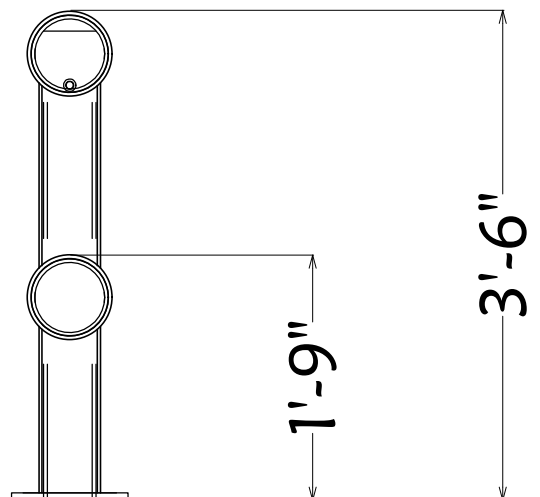
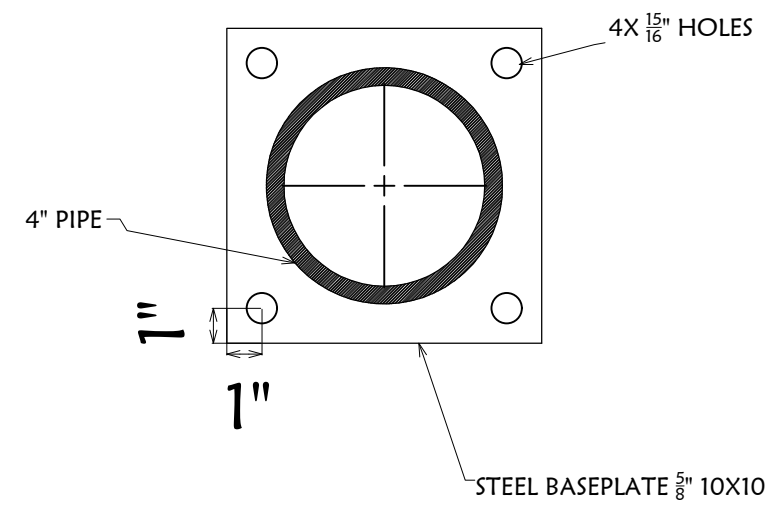


6" sch. 40



4" sch. 80

Back out bolt



THIS DRAWING AND ALL THE INFORMATION THEREON IS THE PROPERTY OF THE IDEAL SHIELD. IS CONFIDENTIAL AND MUST NOT BE MADE PUBLIC, NOR COPIED, NOR USED, TO THE DISADVANTAGE OF SAID IDEAL SHIELD AND IS SUBJECT TO RETURN ON DEMAND.

COPYRIGHT 2003 IDEAL SHIELD®

NO.	REVISIONS	DATE	APPROVED

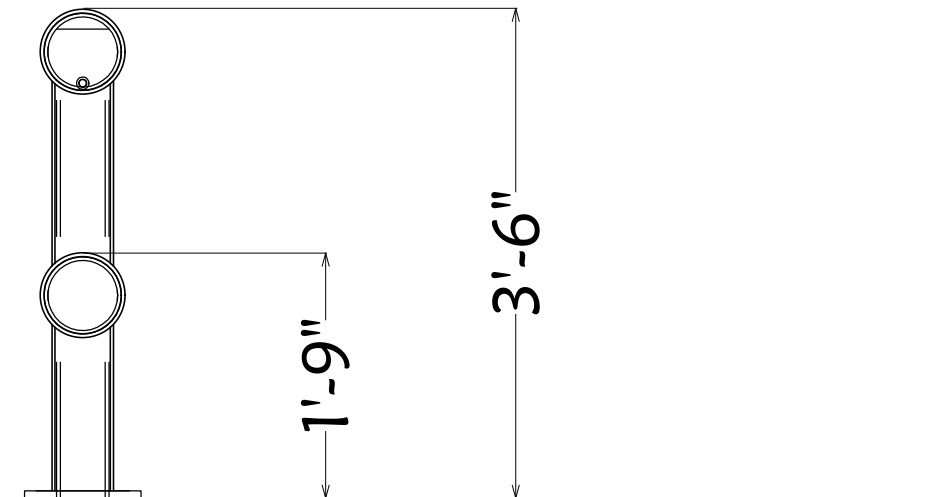
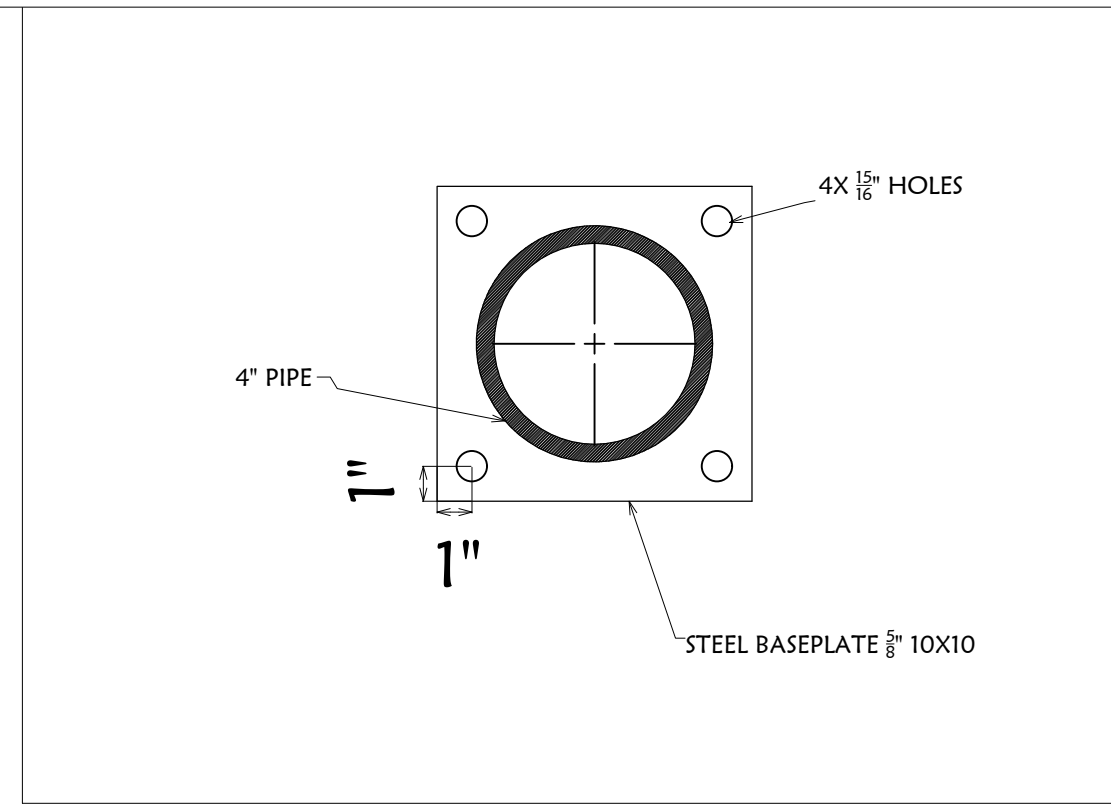
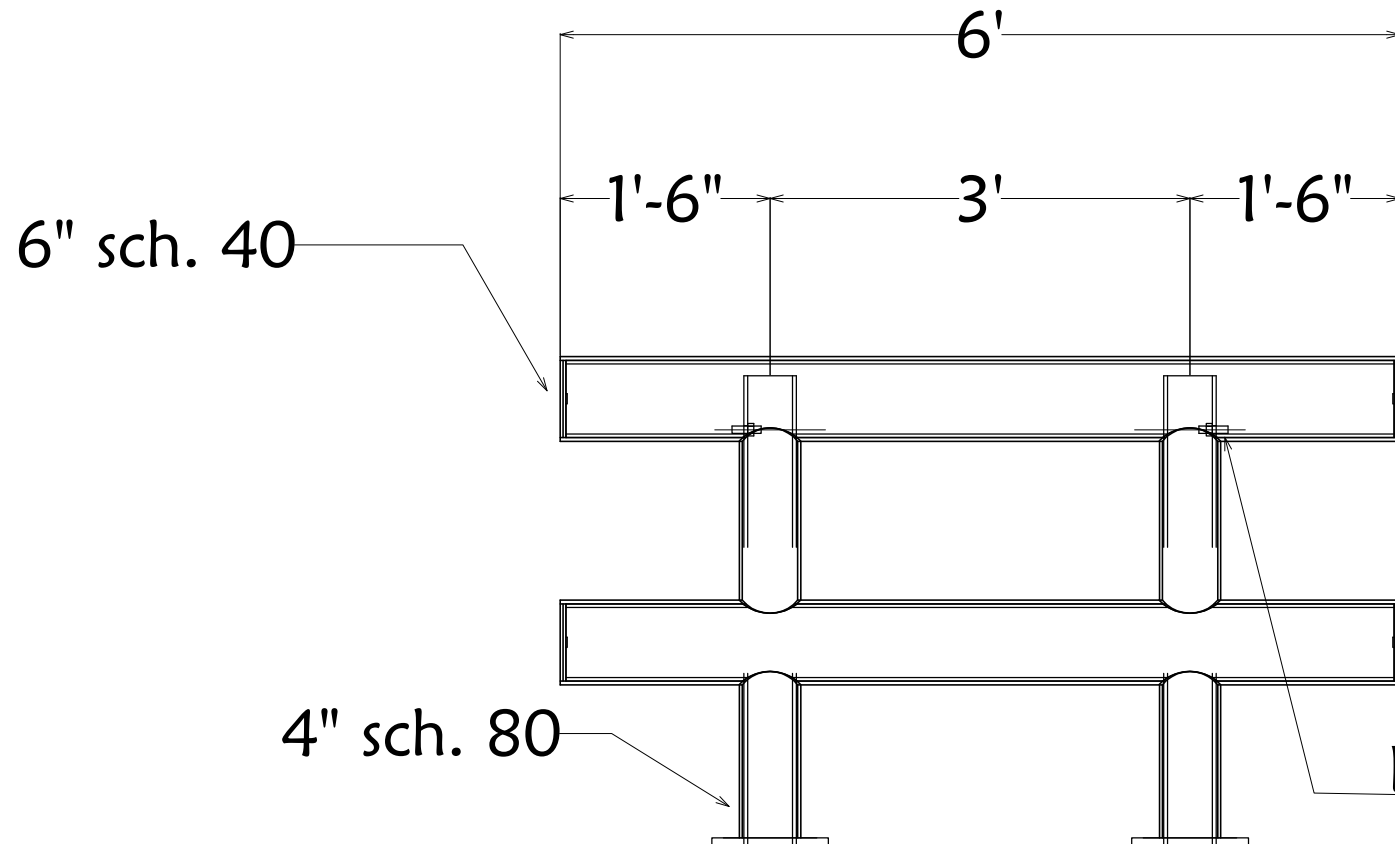
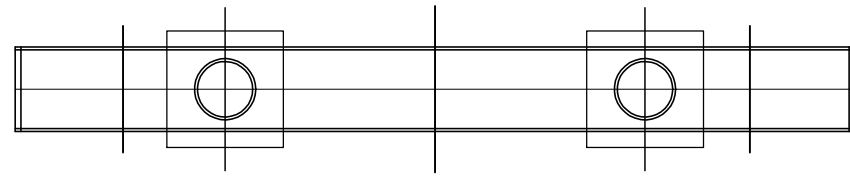

 MANUFACTURER OF IDEAL SHIELD® PROTECTIVE GUARD RAIL SYSTEMS
 2525 Clark St.
 Detroit, MI 48209

PROJECT

CUSTOMER

DESCRIPTION
IDEAL SHIELD HEAVY GUARDRAIL 8'

DRAWN BY: GCC	APPROVED BY:	DATE:
PROJECT NO.: -		SCALE:
FINISH:		DRAWING NO.:
MATERIAL: STEEL & HDPE		SHEET 1 OF 1



THIS DRAWING AND ALL THE INFORMATION THEREON IS THE PROPERTY OF THE IDEAL SHIELD. IS CONFIDENTIAL AND MUST NOT BE MADE PUBLIC, NOR COPIED, NOR USED, TO THE DISADVANTAGE OF SAID IDEAL SHIELD AND IS SUBJECT TO RETURN ON DEMAND.

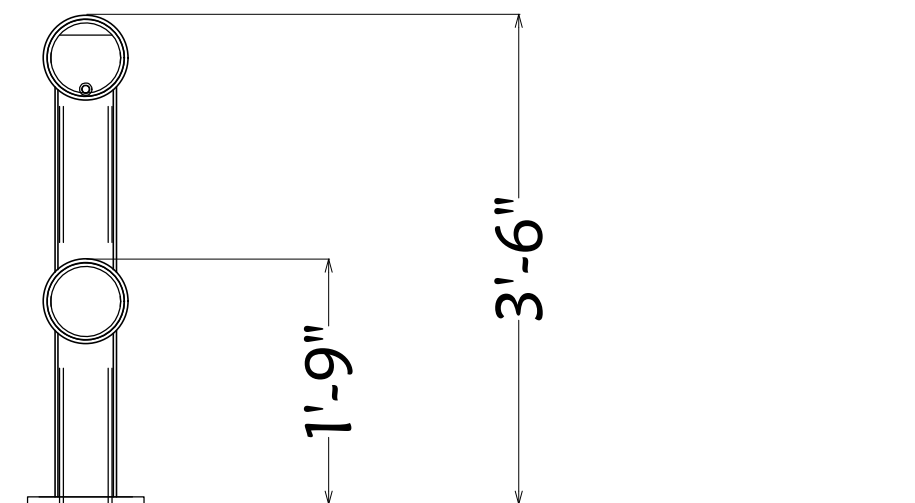
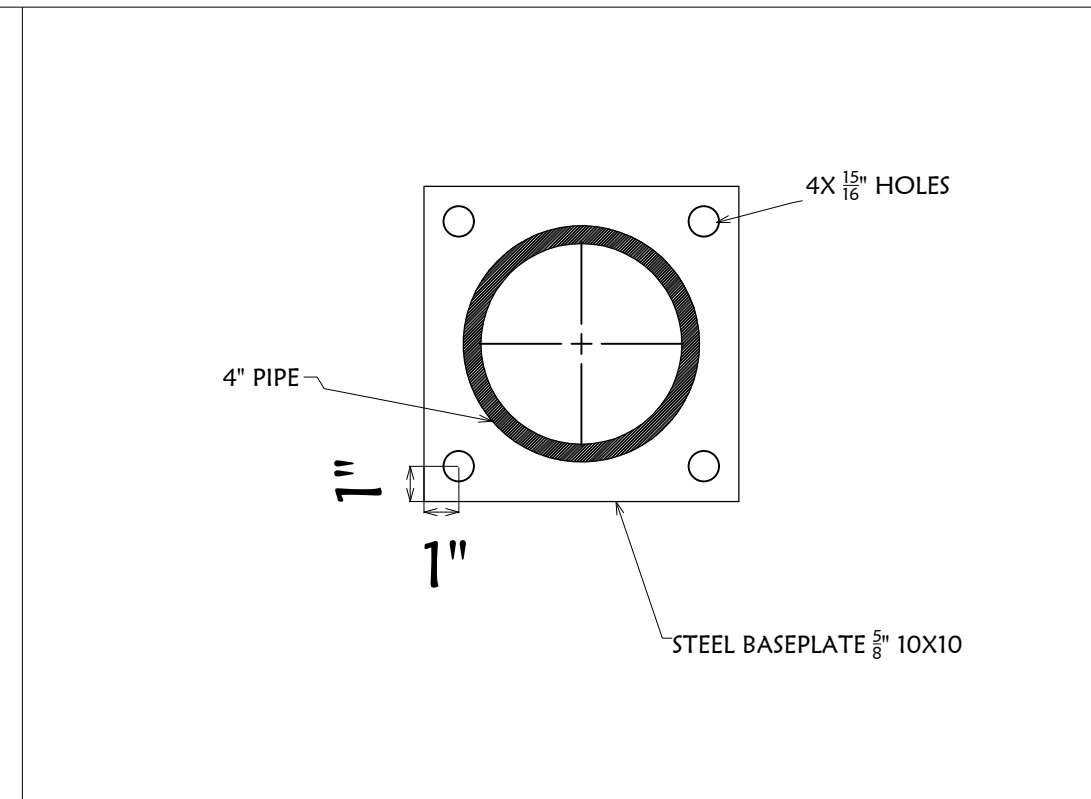
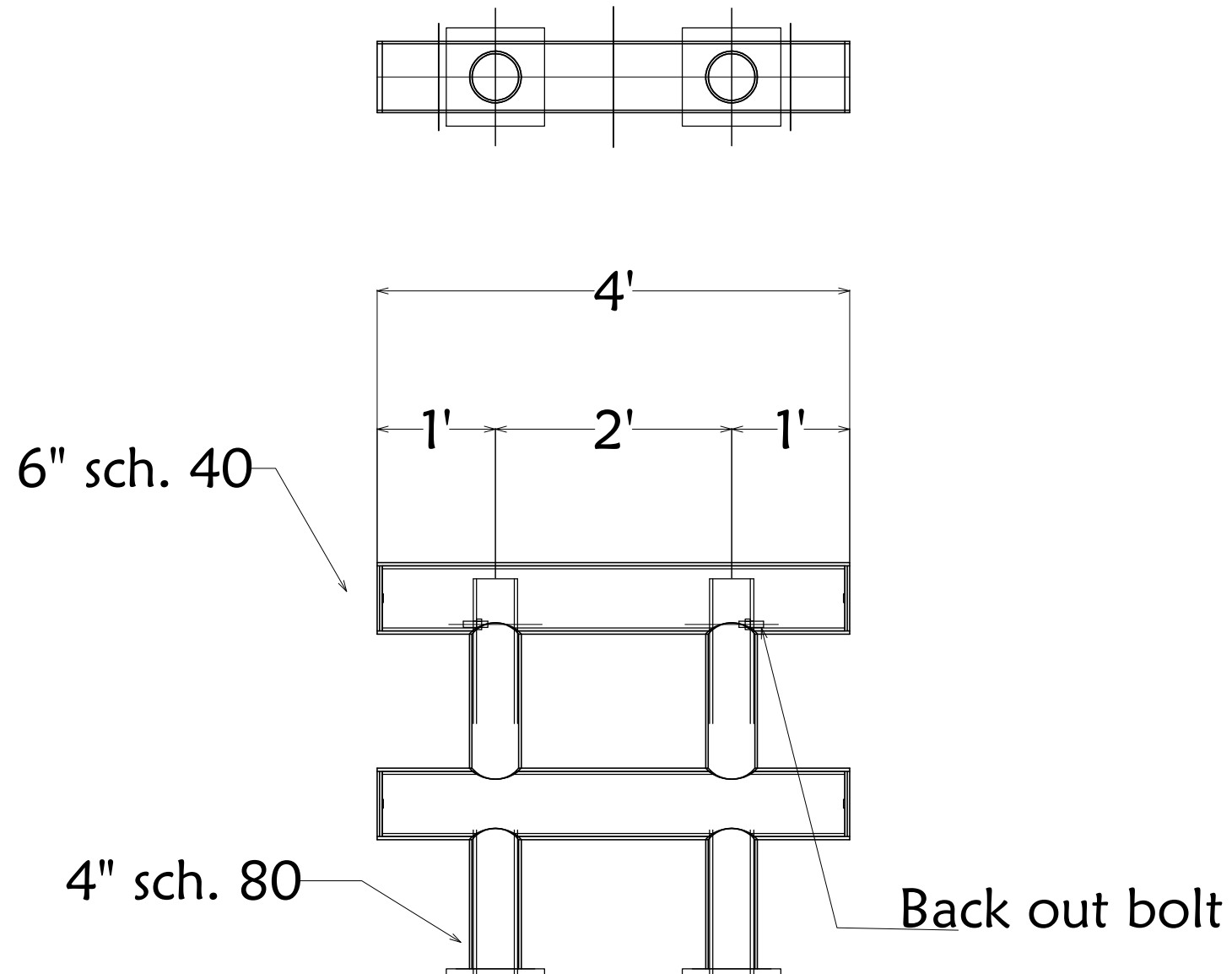
COPYRIGHT 2003 IDEAL SHIELD®

NO.	REVISIONS	DATE	APPROVED



2525 Clark St.
Detroit, MI 48209

PROJECT	CUSTOMER	DESCRIPTION	DRAWN BY:	APPROVED BY:	DATE:
		IDEAL SHIELD HEAVY GUARDRAIL 6'	GCC		
			PROJECT NO.:		SCALE:
			FINISH:		DRAWING NO.:
			MATERIAL:		SHEET 1 OF 1



THIS DRAWING AND ALL THE INFORMATION THEREON IS THE PROPERTY OF THE IDEAL SHIELD. IS CONFIDENTIAL AND MUST NOT BE MADE PUBLIC, NOR COPIED, NOR USED, TO THE DISADVANTAGE OF SAID IDEAL SHIELD AND IS SUBJECT TO RETURN ON DEMAND.

COPYRIGHT 2003
IDEAL SHIELD®

NO.	REVISIONS	DATE	APPROVED

MANUFACTURER OF IDEAL SHIELD®
PROTECTIVE GUARD RAIL SYSTEMS

IDEAL SHIELD®

2525 Clark St.
Detroit, MI 48209

PROJECT	CUSTOMER

DESCRIPTION
IDEAL SHIELD HEAVY GUARDRAIL 4'

DESCRIPTION
IDEAL SHIELD HEAVY GUARDRAIL 4'

DRAWN BY:	APPROVED BY:	DATE:
GCC		
PROJECT NO.:		SCALE:
FINISH:		DRAWING NO.:
MATERIAL:		SHEET 1 OF 1
STEEL & HDPE		