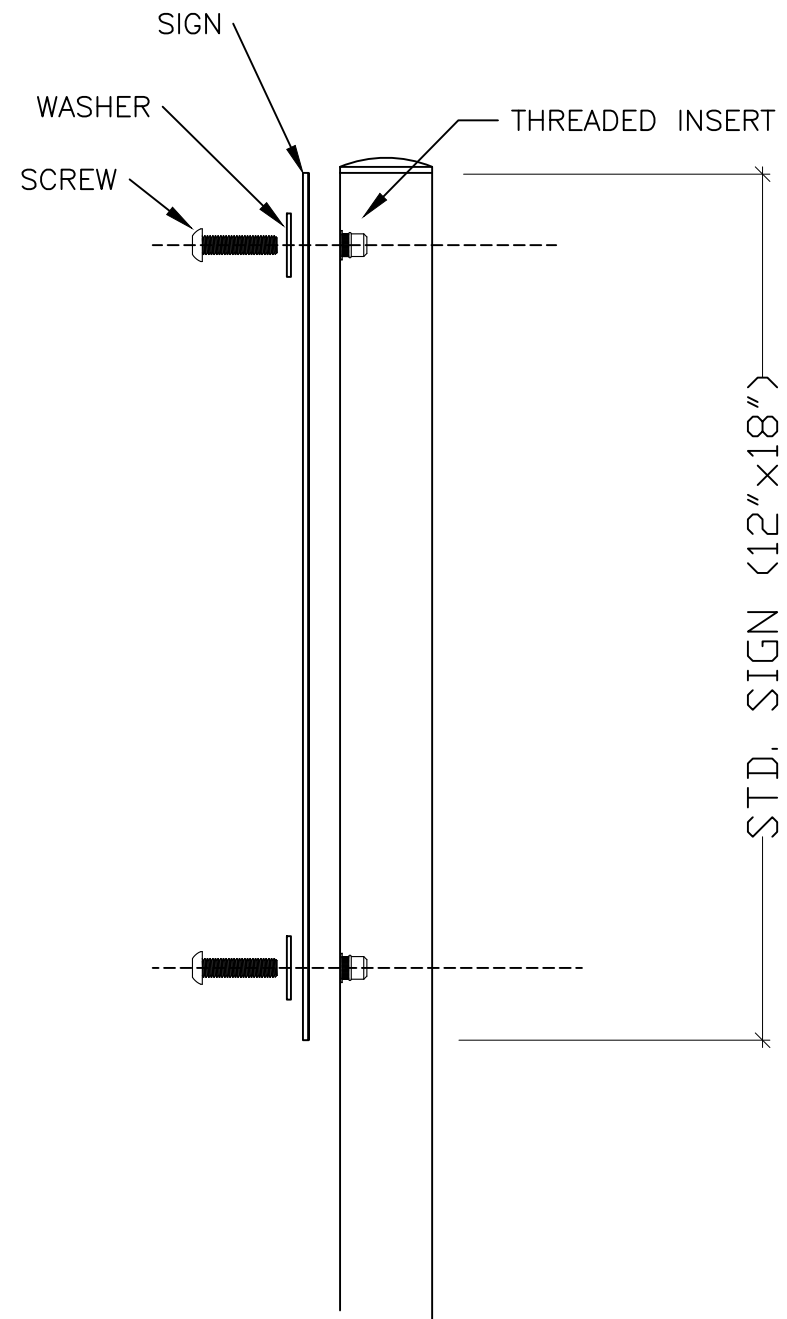


SIGN SYSTEM (MULTIPLE SIGN OPTION)



SIGN SYSTEM (SINGLE SIGN OPTION)

THIS DRAWING AND ALL THE INFORMATION THEREON IS THE PROPERTY OF THE IDEAL SHIELD, IS CONFIDENTIAL AND MUST NOT BE MADE PUBLIC, NOR COPIED, NOR USED, TO THE DISADVANTAGE OF SAID IDEAL SHIELD AND IS SUBJECT TO RETURN ON DEMAND.

COPYRIGHT 2003 ,
IDEAL SHIELD

NO.	REVISIONS	DATE	APPROVED



2525 Clark St.
Detroit, MI 48209

PROJECT	CUSTOMER	DESCRIPTION	DRAWN BY:	APPROVED BY:	DATE:
		Sign Bollard System 1 Sign and 2 Sign Options			
			PROJECT NO:		SCALE:
			FINISH:		DRAWING NO:
			MATERIAL:		SHEET 1 OF 1