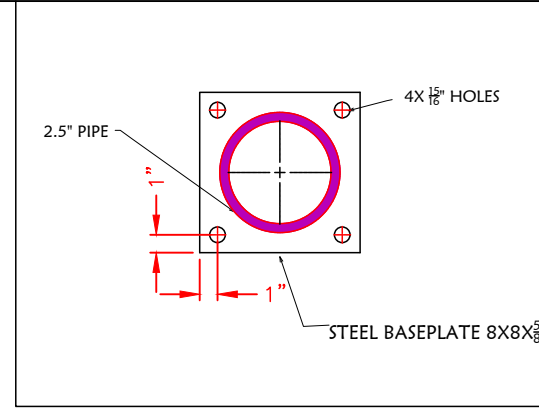
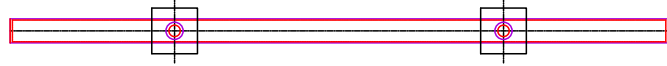


IDEAL SHIELD  
 PLATED ONE LINE STANDARD GUARDRAIL  
 PART#: SGR-1-LENGTH-HEIGHT-PLATED

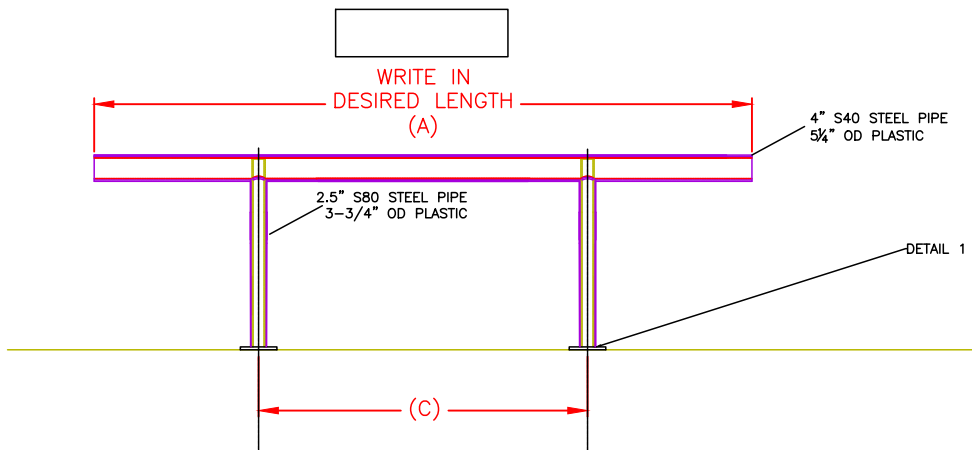
| ONE LINE STANDARD GUARDRAIL SIZE CHART |                        |                            |
|--|------------------------|----------------------------|
| STANDARD LENGTH<br>(A)                 | STANDARD HEIGHT<br>(B) | POST TO POST LENGTH<br>(C) |
| 4'-0"                                  | 14.75", 27", 36", 42"  | 2'-0"                      |
| 6'-0"                                  | 14.75", 27", 36", 42"  | 3'-0"                      |
| 8'-0"                                  | 14.75", 27", 36", 42"  | 4'-0"                      |
| 10'-0"                                 | 14.75", 27", 36", 42"  | 5'-0"                      |
| 12'-0"                                 | 14.75", 27", 36", 42"  | 6'-0"                      |
| CUSTOM                                 | CUSTOM                 | (C)=(A)/2                  |



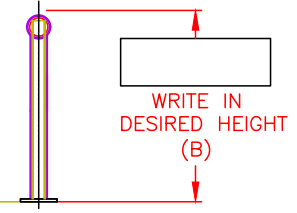
DETAIL 1



TOP VIEW



FRONT VIEW



SIDE VIEW

SPECIAL INSTRUCTIONS:

qty.  
 \_\_\_\_\_  
 \_\_\_\_\_  
 \_\_\_\_\_

THIS DRAWING AND ALL THE INFORMATION THEREON IS THE PROPERTY OF THE IDEAL SHIELD. IS CONFIDENTIAL AND MUST NOT BE MADE PUBLIC, NOR COPIED, NOR USED, TO THE DISADVANTAGE OF SAID IDEAL SHIELD AND IS SUBJECT TO RETURN ON DEMAND.  
 COPYRIGHT 2003  
 IDEAL SHIELD

| NO. | REVISIONS | DATE | APPROVED |
|-----|-----------|------|----------|
|     |           |      |          |
|     |           |      |          |
|     |           |      |          |
|     |           |      |          |
|     |           |      |          |



PROJECT

CUSTOMER

DESCRIPTION  
 IDEAL SHIELD  
 STANDARD GUARDRAIL  
 PLATED

|                                |              |              |
|--------------------------------|--------------|--------------|
| DESIGNED BY: DP                | APPROVED BY: | DATE:        |
| PROJECT NO.:                   |              | SCALE:       |
| DRAWN:                         |              | DRAWING NO.: |
| MATERIAL: STEEL & HDPE PLASTIC | SHEET: 1     | OF: 1        |