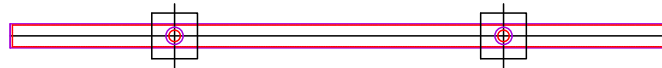
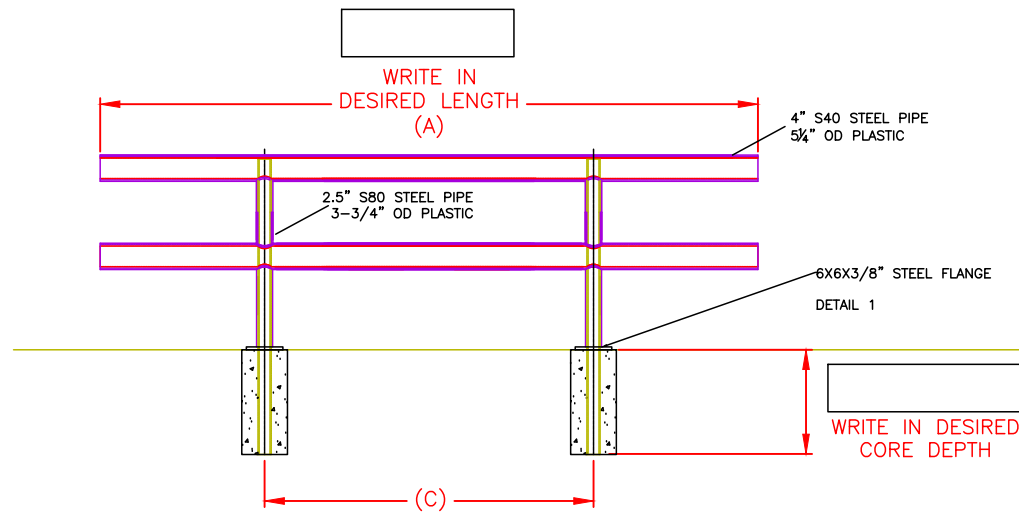


IDEAL SHIELD  
 CORED TWO LINE STANDARD GUARDRAIL  
 PART#: SGR-2-LENGTH-HEIGHT-CORED

TWO LINE STANDARD GUARDRAIL SIZE CHART		
STANDARD LENGTH (A)	STANDARD HEIGHT (B)	POST TO POST LENGTH (C)
4'-0"	27",36",42"	2'-0"
6'-0"	27",36",42"	3'-0"
8'-0"	27",36",42"	4'-0"
10'-0"	27",36",42"	5'-0"
12'-0"	27",36",42"	6'-0"
CUSTOM	CUSTOM	(C)=(A)/2

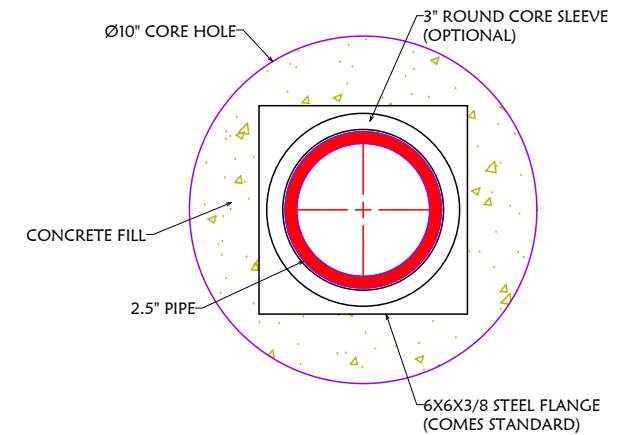


TOP VIEW



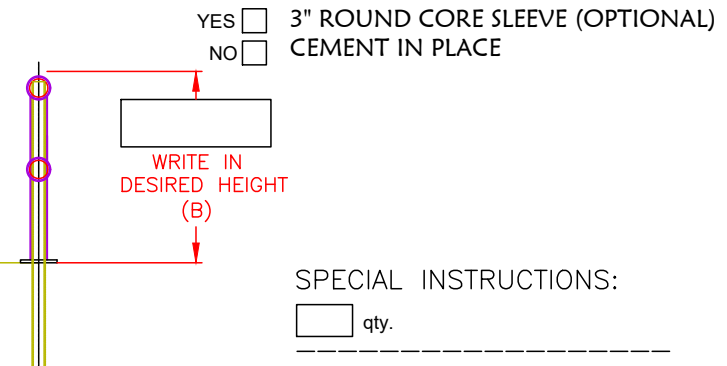
FRONT VIEW

INSTALLATION W/ OPTIONAL STEEL CORE SLEEVE



INSTALLATION:  
 FOR INSTALLATION SET PRODUCT IN AT LEAST 12" INCH DEEP HOLE AND FILL WITH CONCRETE

DETAIL 1



SPECIAL INSTRUCTIONS:

qty.

-----

-----

-----

SIDE VIEW

THIS DRAWING AND ALL THE INFORMATION THEREON IS THE PROPERTY OF THE IDEAL SHIELD. IS CONFIDENTIAL AND MUST NOT BE MADE PUBLIC, NOR COPIED, NOR USED, TO THE DISADVANTAGE OF SAID IDEAL SHIELD AND IS SUBJECT TO RETURN ON DEMAND.

COPYRIGHT 2003 IDEAL SHIELD

NO.	REVISIONS	DATE	APPROVED

**IDEAL SHIELD**  
 2525 Clark St.  
 Detroit, MI 48209

PROJECT

CUSTOMER

DESCRIPTION  
 IDEAL SHIELD  
 STANDARD GUARDRAIL  
 CORED

DESIGNED BY: DP	APPROVED BY:	DATE:
PROJECT NO.:		SCALE:
DRAWN BY:		DRAWING NO.:
MATERIAL: STEEL & HDPE PLASTIC	SHEET: 1	OF: 1