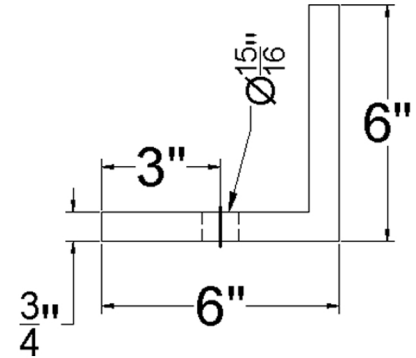
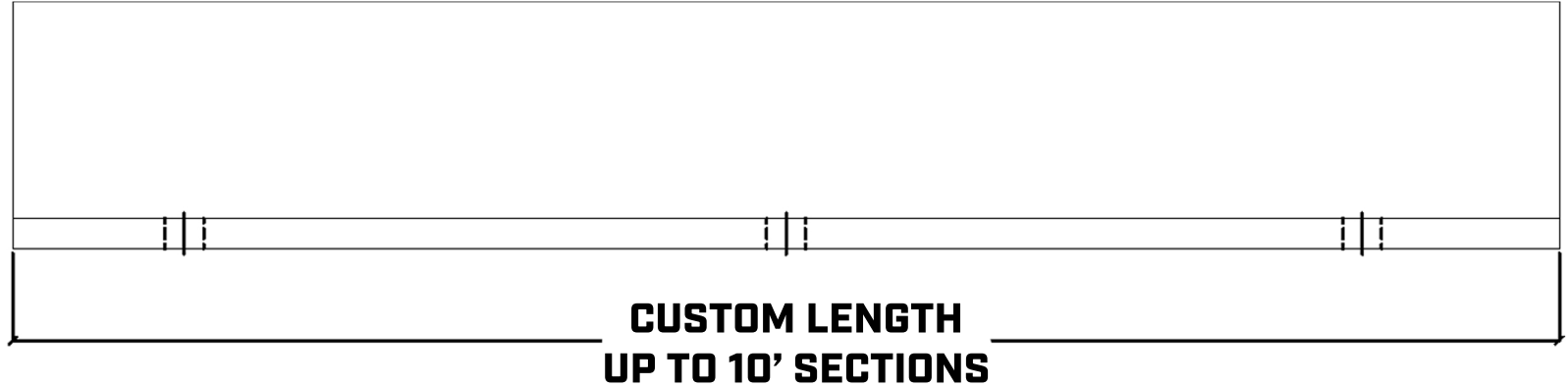




# ANGLE FLOOR STOP SHIELD



THIS DRAWING AND ALL THE INFORMATION THEREON IS THE PROPERTY OF THE IDEAL SHIELD. IS CONFIDENTIAL AND MUST NOT BE MADE PUBLIC, NOR COPIED, NOR USED, TO THE DISADVANTAGE OF SAID IDEAL SHIELD AND IS SUBJECT TO RETURN ON DEMAND.  
COPYRIGHT 2020  
IDEAL SHIELD \*

NO.	REVISIONS	DATE	APPROVED

**IDEAL SHIELD**  
2525 Clark St.  
Detroit, MI 48209

PROJECT	CUSTOMER

DESCRIPTION
Angle Floor Stop Shield

DRAWN BY:	APPROVED BY:	DATE:
D.P.		07/21/2020
PROJECT NO.:		
MATERIAL:		
FINISH:		