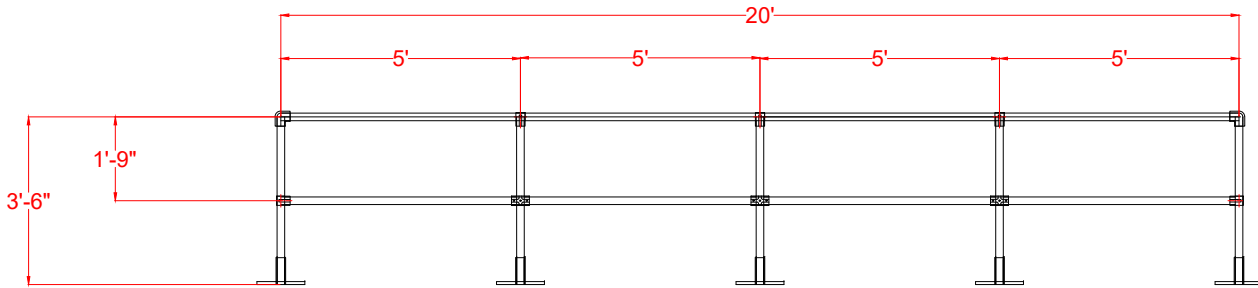




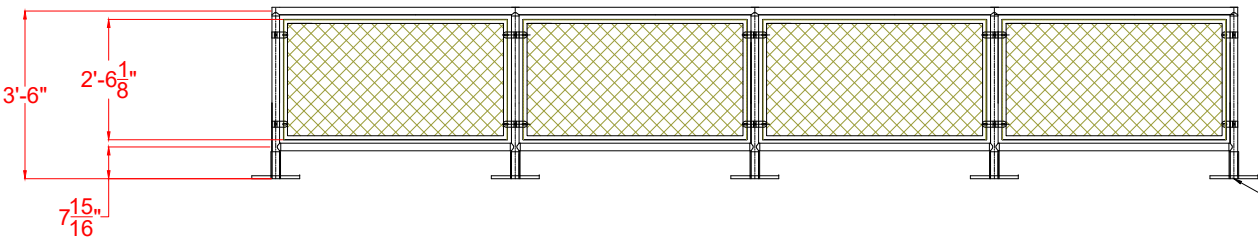
ROOF FALL PROTECTION RAILING



TYPICAL 20' SECTION STEEL ROOF RAIL WITH HDPE PLASTIC

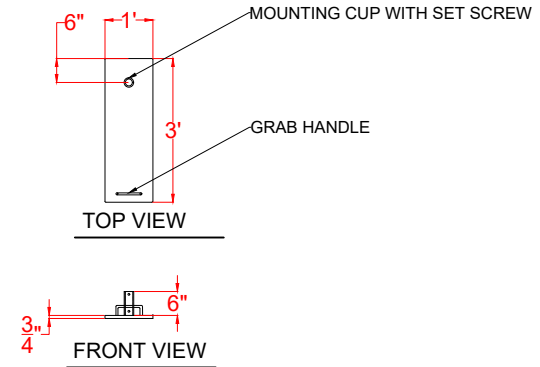


TYPICAL 20' SECTION ALUMINUM PIPE

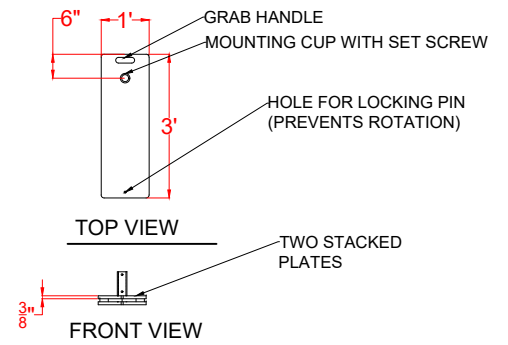


TYPICAL 20' SECTION ALUMINUM PIPE WITH OPTIONAL INFILL PANELS

DETAIL 1 STANDARD 100 POUND BASE OPTION 1



DETAIL 2 STACKED 50 POUND BASE OPTION 2



NOTE: DIFFERENT COLORS OF HDPE PLASTIC IS AVAILABLE

BASE PLATE OPTIONS IN DETAIL 1 & DETAIL 2

THIS DRAWING AND ALL THE INFORMATION THEREON IS THE PROPERTY OF THE IDEAL SHIELD, IS CONFIDENTIAL AND MUST NOT BE MADE PUBLIC, NOR COPIED, NOR USED, TO THE DISADVANTAGE OF SAID IDEAL SHIELD AND IS SUBJECT TO RETURN ON DEMAND.
COPYRIGHT 2003 IDEAL SHIELD ®

NO.	REVISIONS	DATE	APPROVED

PROJECT	CUSTOMER	DESCRIPTION

DESIGNER	APPROVED BY	DATE
D.P.		
PROJECT NO.		SCALE: NA
DRAWING NO.		
SHEET		1 OF 1