

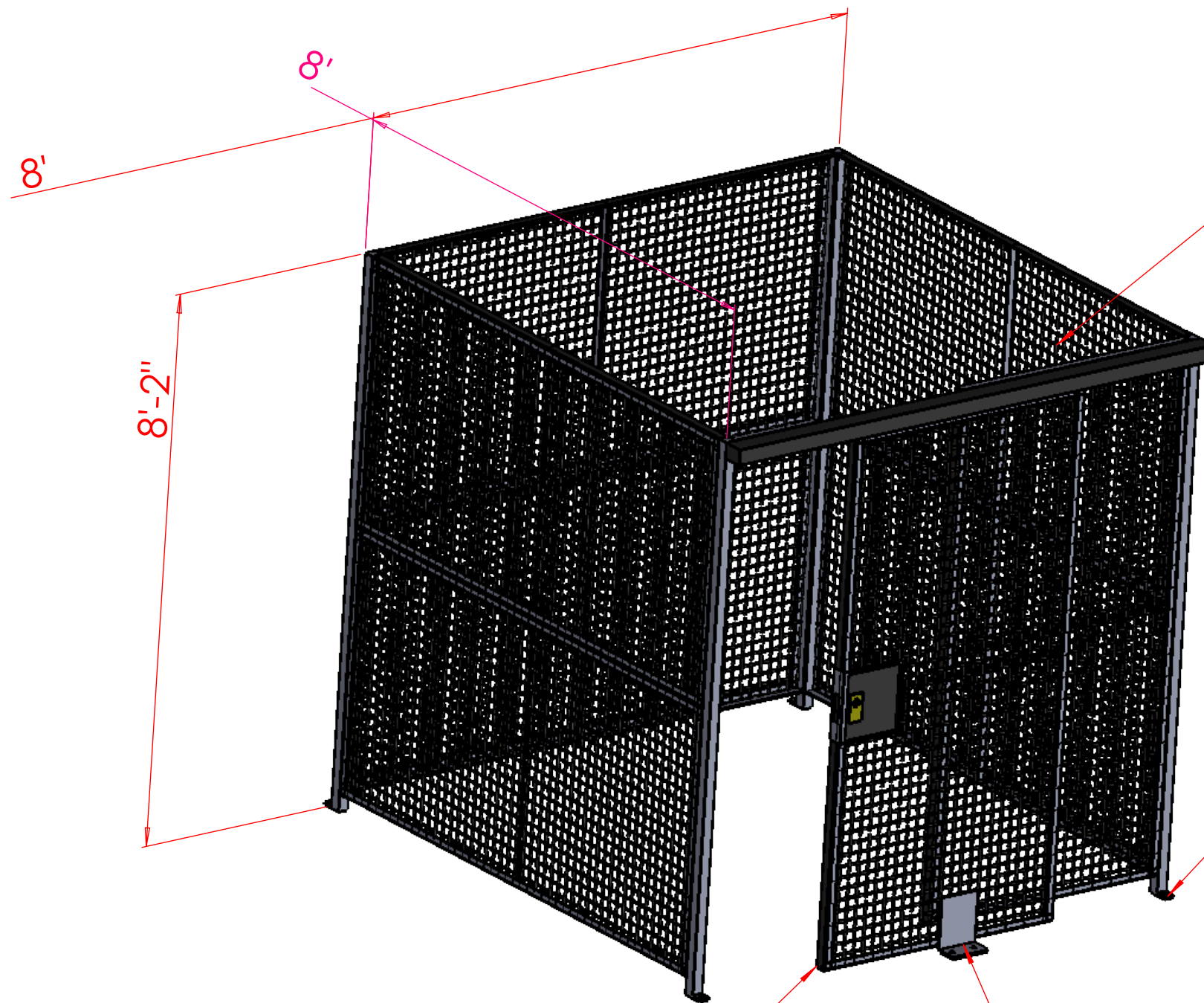


PART# ID-CR-LENGTH-WIDTH-DOOR TYPE

QTY:

SIZE:

8' INCREMENTS
EX: 8'X8', 16'X8'



NOTES:

- AVAILABLE IN VARIOUS SIZES (LXW)
- STANDARD SIZES INCREASE IN 8' INCREMENTS
- ALL UNITS 8'-2" TALL

-LOCKING SLIDE DOOR (SHOWN) W/ 4" MAX OPENING
-LOCKING HINGE DOOR AVAILABLE W/ 3' OPENING

PROPRIETARY AND CONFIDENTIAL
THE INFORMATION CONTAINED IN THIS DRAWING IS THE SOLE PROPERTY OF IDEAL SHIELD. ANY REPRODUCTION IN PART OR AS A WHOLE WITHOUT THE WRITTEN PERMISSION OF IDEAL SHIELD IS PROHIBITED.

	NAME	DATE	TITLE:		
DRAWN			IDEAL CRIBBING		
CHECKED					
ENG APPR.					
MFG APPR.					
Q.A.					
COMMENTS:			SIZE	DWG. NO.	REV
			B	ID-CR-8-8-SL	
			SCALE: 1:12	WEIGHT:	SHEET 1 OF 1