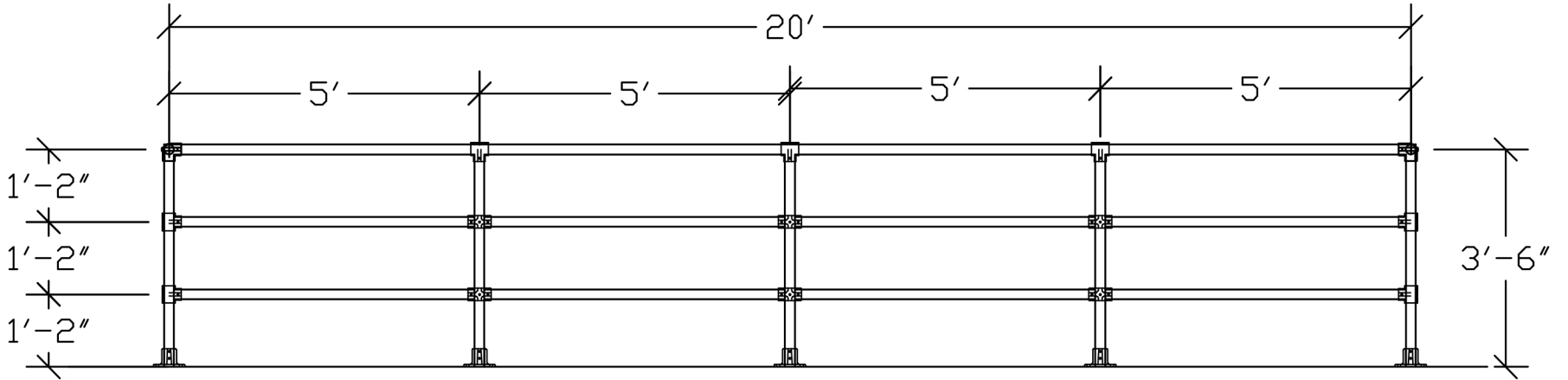




*STEEL PIPE SLEEVED IN HDPE PLASTIC



NO.	REVISIONS	DATE	APPROVED

IDEALSHIELD
 2525 Clark St.
 Detroit, MI 48209

PROJECT	CUSTOMER	DESCRIPTION
		HRK Rail

DRAWN BY	APPROVED BY	DATE
PROJECT NO.		SHEET NO.
FORM		
MATERIAL		