

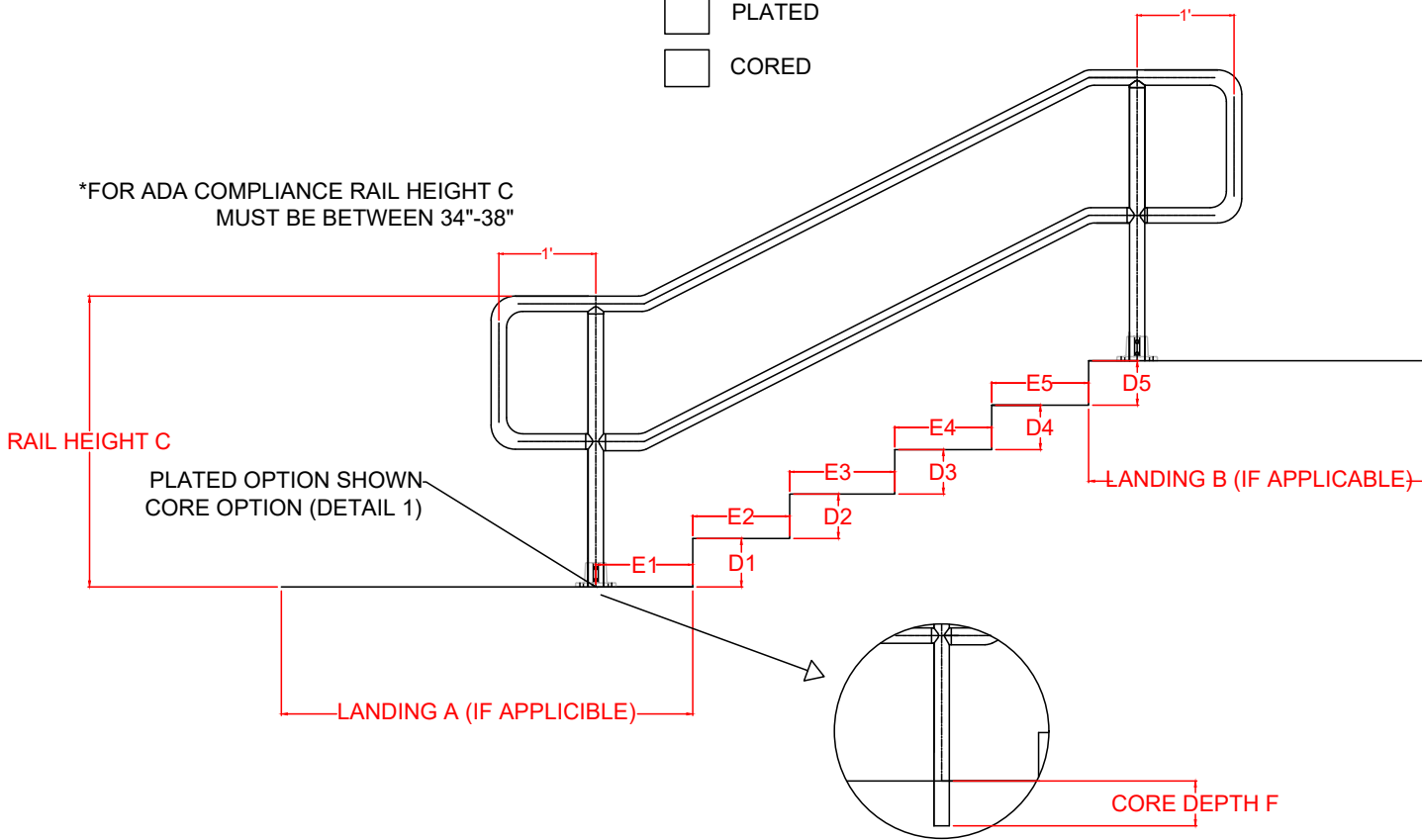


# ALUMINUM STAIR APPLICATION

CHECK DESIRED INSTALLATION

- PLATED
- CORED

\*FOR ADA COMPLIANCE RAIL HEIGHT C MUST BE BETWEEN 34"-38"



Please Write Measurements Here (inches)

LANDING A	
LANDING B	
RAIL HEIGHT C	
D1 (RISER)	
D2	
D3	
D4	
D5	
D6	
D7	
D8	
E1 (TREADS)	
E2	
E3	
E4	
E5	
E6	
E7	
E8	
CORE DEPTH F (IF APPLICABLE)	

- PLEASE MEASURE ALL TREADS AND FILL IN THE SPACE PROVIDED ABOVE. IF THERE ARE MORE STEPS THAN SPACE PROVIDED, PLEASE WRITE ON A SEPARATE SHEET
- DEPENDING ON THE NUMBER OF STEPS, EXTRA POSTS MAY BE NEEDED TO MEET CODE
- CAN BE TIED INTO A CUSTOM LAYOUT, PLEASE CONTACT A SALES REPRESENTATIVE

THIS DRAWING AND ALL THE INFORMATION THEREON IS THE PROPERTY OF THE IDEAL SHIELD. IS CONFIDENTIAL AND MUST NOT BE MADE PUBLIC, NOR COPIED, NOR USED, TO THE DISADVANTAGE OF SAID IDEAL SHIELD AND IS SUBJECT TO RETURN ON DEMAND.

COPYRIGHT 2020 IDEAL SHIELD \*

NO.	REVISIONS	DATE	APPROVED



PROJECT

CUSTOMER  
**APPROVED BY:**

DESCRIPTION  
HRI HANDRAIL

DESIGNED BY: D.P.	APPROVED BY:	DATE: 07/28/2020
PROJECT NO:		SCALE:
FROM:		DRAWING NO:
DATE:		SHEET OF:
ALUM		

**\*SIGNATURE REQUIRED UPON SUBMITTAL**