

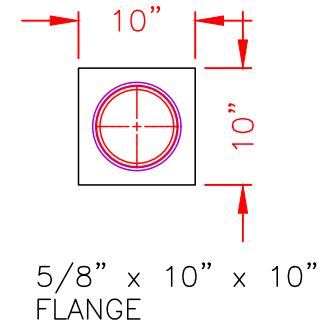


IDEAL SHIELD
CORED HEAVY GUARDRAIL GATE

PART#: HGG-2-INSIDE LENGTH-48-CORED

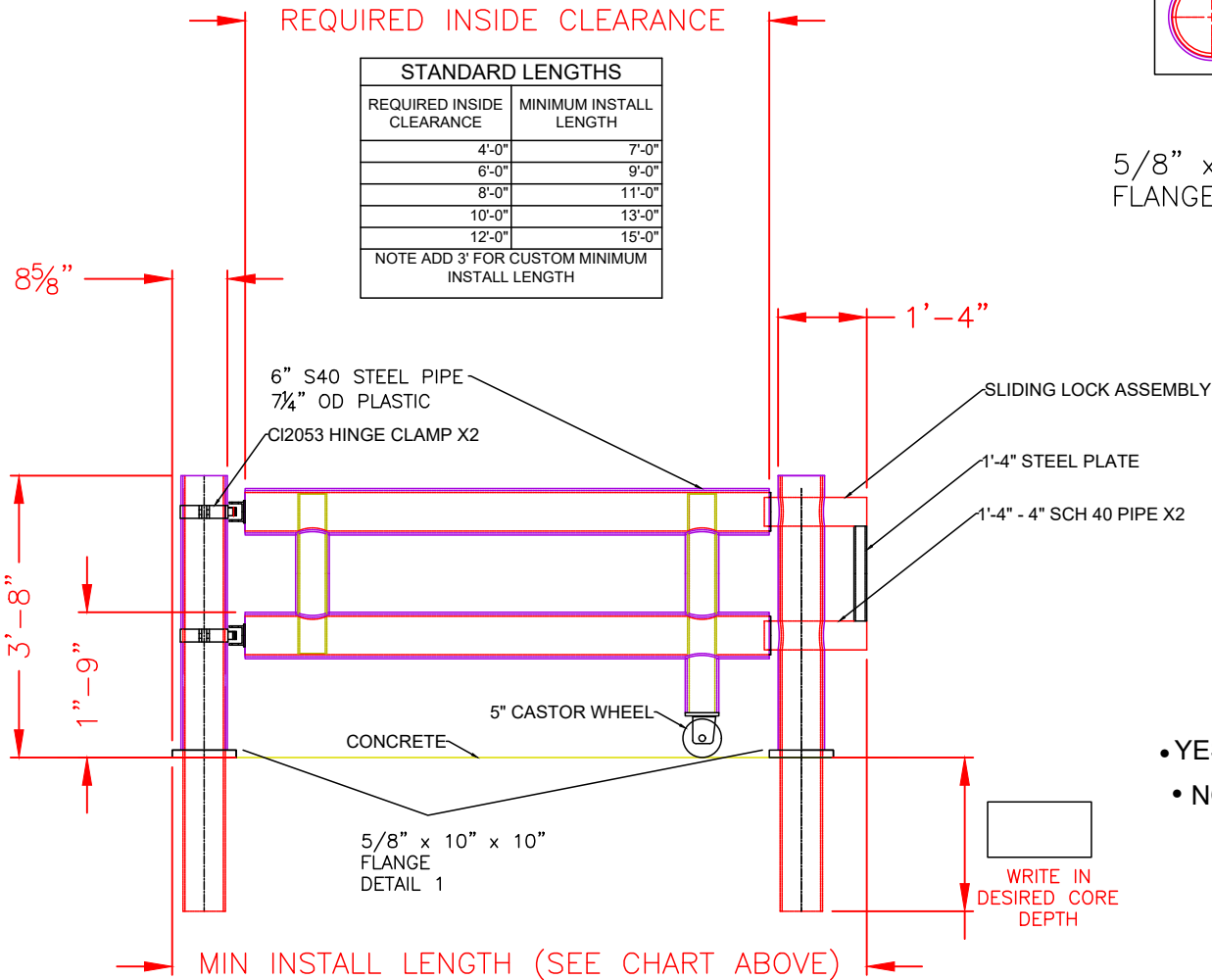
WRITE REQUIRED INSIDE CLEARANCE:
(READ SIZE CHART BELOW)

DETAIL 1



STANDARD LENGTHS	
REQUIRED INSIDE CLEARANCE	MINIMUM INSTALL LENGTH
4'-0"	7'-0"
6'-0"	9'-0"
8'-0"	11'-0"
10'-0"	13'-0"
12'-0"	15'-0"

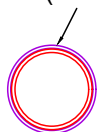
NOTE ADD 3' FOR CUSTOM MINIMUM INSTALL LENGTH



SPECIAL INSTRUCTIONS:

qty.

- YES STEEL FLOOR SLEEVE (7" ROUND)
- NO



WRITE IN DESIRED CORE DEPTH

THIS DRAWING AND ALL THE INFORMATION THEREON IS THE PROPERTY OF THE IDEAL SHIELD. IS CONFIDENTIAL AND MUST NOT BE MADE PUBLIC, NOR COPIED, NOR USED, TO THE DISADVANTAGE OF SAID IDEAL SHIELD AND IS SUBJECT TO RETURN ON DEMAND.
COPYRIGHT 2003 IDEAL SHIELD

NO.	REVISIONS	DATE	APPROVED

ideal shield
2525 Clark St.
Detroit, MI 48209

PROJECT

CUSTOMER

APPROVED BY:

DESCRIPTION

CORED
HEAVY GUARDRAIL GATE
CUSTOM

DESIGNED BY	APPROVED BY	DATE
D.P.		
PROJECT NO.		SCALE: NA
DRAWING NO.		
MATERIAL: PIPE & PLASTIC		SHEET 1 OF 1

***SIGNATURE REQUIRED FOR SUBMITTAL**