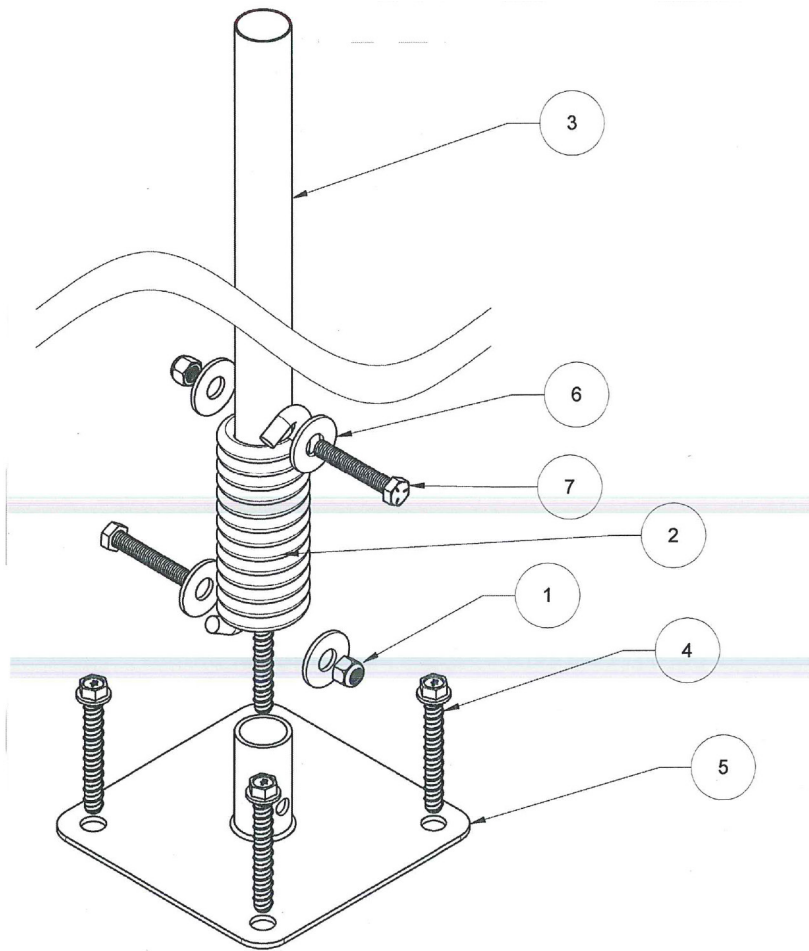


Item Number	Quantity	Part Number	Part Name	Revision	Comment
1	2	37030	Hex Locknut Zinc		
2	1	RE-SK	Torsion Spring		
3	1	R;E-6P	6 ft. Post Galvanized Ste		
4	4	2140273	4 in. Wedge Bolt Zinc		
5	1	RE-BP	Base Plate		
6	4	33012	.5 Flat Washer Zinc		
7	2	13824	3 in. Hex Bolt Zinc.		



		ideaSHIELD®		
		Standard Signpost Concrete Model		
		Size: A	STD - C - 6	Sheet 1 of 1

