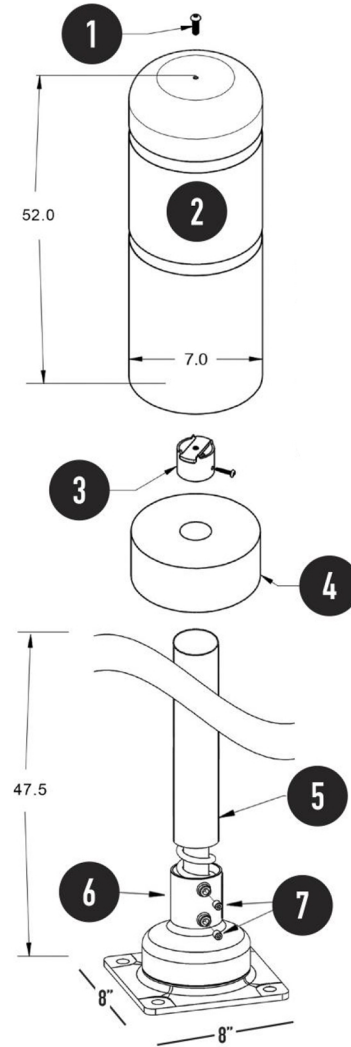





# HEAVY DUTY FLEXPOST BOLLARD

ITEM NUMBER	QUANTITY	PART NUMBER	DIMENSIONS & DESCRIPTION
1	1	73780	5/16"- 18" X 1" HEX DRIVE CAP SCREW
2	1	RE-BC52	52" X 7" BOLLARD COVER
3	1	RE-XL-BC	ANTI-ROTATE BOLLARD CAP KIT
4	1	RE-FR-7	7" FOAM SPACER RING
5	1	RE-XL-47P	47.5" X 2 3/8" STEEL POST-.055" WALL
6	1	A-XL-SK	8" X 8" BASE & SPRING ASSEMBLY
7	2	1139864	5/16" - 18 X 1/2" SET SCREW






CHOICE OF CONCRETE OR ASPHALT ANCHORING SYSTEM

REFER TO THE NEXT PAGE FOR ANCHORING INSTRUCTIONS



WWW.IDEALSHIELD.COM • (866) 825-8659 • PLEASE SUBMIT YOUR PRODUCT INQUIRY TO INFO@IDEALSHIELD.COM

THIS DRAWING AND ALL THE INFORMATION THEREON IS THE PROPERTY OF THE IDEAL SHIELD. IS CONFIDENTIAL AND MUST NOT BE MADE PUBLIC, NOR COPIED, NOR USED, TO THE DISADVANTAGE OF SAID IDEAL SHIELD AND IS SUBJECT TO RETURN ON DEMAND. COPYRIGHT 2019, IDEAL SHIELD®	NO.	REVISIONS	DATE	APPROVED	 2525 Clark St. Detroit, MI 48209	PROJECT	CUSTOMER	DESCRIPTION	DRAWN BY:	APPROVED BY:	DATE:		
						<b>HEAVY DUTY FLEXPOST BOLLARD</b>				PROJECT NO.:		SCALE:	
										PARTS:		DRAWING NO.:	
										MATERIAL:		SHEET OF:	