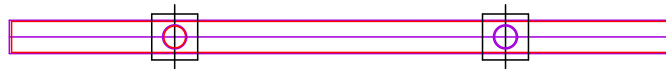
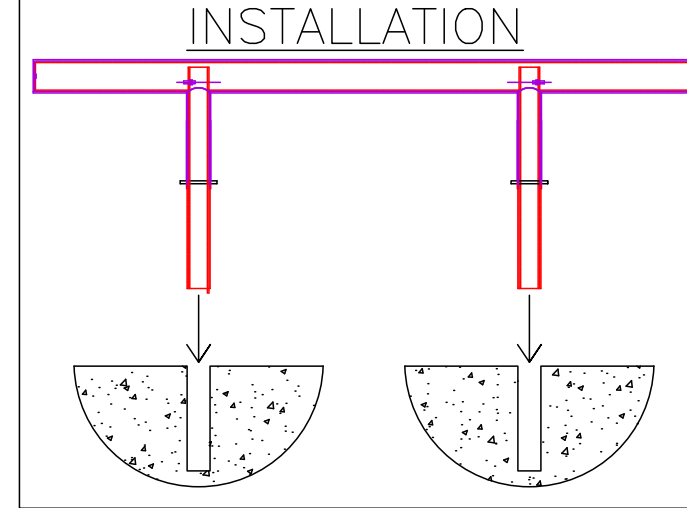


IDEAL SHIELD  
 CORED ONE LINE DROP IN HEAVY GUARDRAIL  
 PART#: HGR-1-LENGTH-HEIGHT-CORED

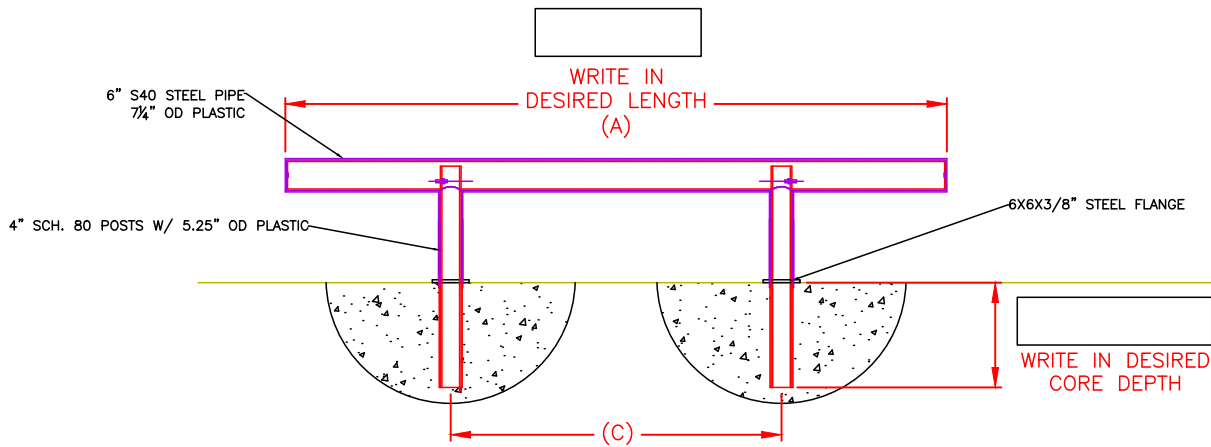
ONE LINE HEAVY GUARDRAIL SIZE CHART		
STANDARD LENGTH (A)	STANDARD HEIGHT (B)	POST TO POST LENGTH (C)
4'-0"	14.75", 27"	2'-0"
6'-0"	14.75", 27"	3'-0"
8'-0"	14.75", 27"	4'-0"
10'-0"	14.75", 27"	5'-0"
12'-0"	14.75", 27"	6'-0"
CUSTOM	CUSTOM - LOWER THAN 27"	(C)=(A)/2



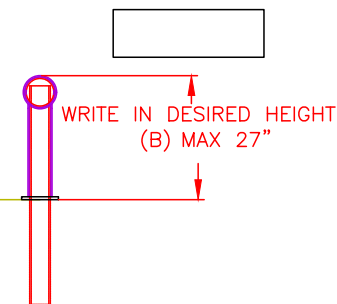
TOP VIEW



EASY INSTALLATION:  
 FOR INSTALLATION CORE 6"-8"  
 INTO CONCRETE (TYPICALLY  
 DEPTH OF CONCRETE) WITH  
 5 1/8" DRILL BIT AND DROP IN  
 PRODUCT.



FRONT VIEW



SIDE VIEW

SPECIAL INSTRUCTIONS:

qty.

-----

-----

-----

THIS DRAWING AND ALL THE INFORMATION THEREON IS THE PROPERTY OF THE IDEAL SHIELD. IS CONFIDENTIAL AND MUST NOT BE MADE PUBLIC, NOR COPIED, NOR USED, TO THE DISADVANTAGE OF SAID IDEAL SHIELD AND IS SUBJECT TO RETURN ON DEMAND.

NO.	REVISIONS	DATE	APPROVED

**IDEAL SHIELD**  
 2525 Clark St.  
 Detroit, MI 48209

PROJECT

CUSTOMER  
**APPROVED BY:**

DESCRIPTION  
 IDEAL SHIELD  
 HEAVY GUARDRAIL  
 DROP IN  
 CORED

DRAWN BY: DP	APPROVED BY:	DATE:
PROJECT NO.:		SCALE:
PRICE:		DRAWING NO.:
MATERIAL: STEEL & HDPE PLASTIC		SHEET 1 OF 1

**\*SIGNATURE REQUIRED FOR SUBMITTAL**