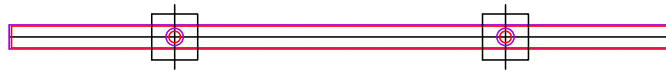
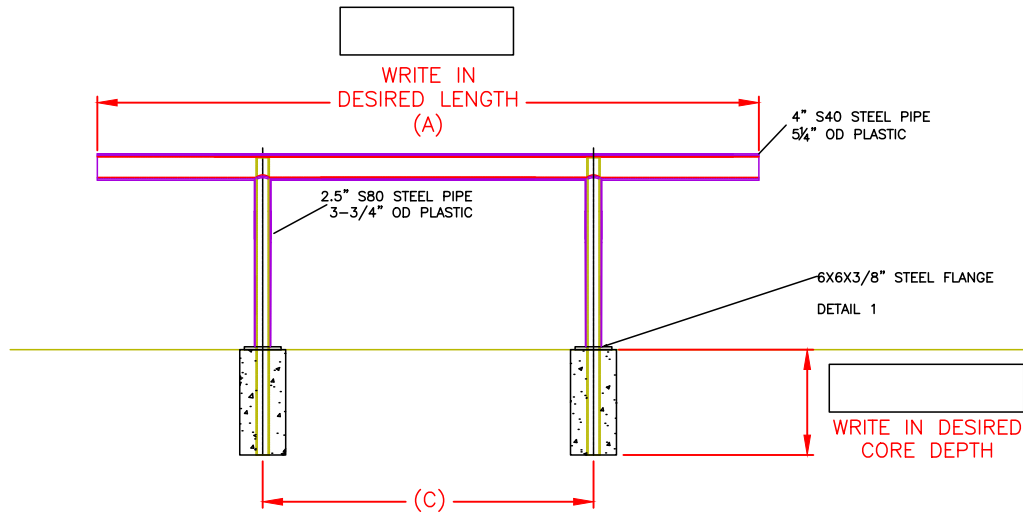


IDEAL SHIELD
 CORED ONE LINE STANDARD GUARDRAIL
 PART#: SGR-1-LENGTH-HEIGHT-CORED

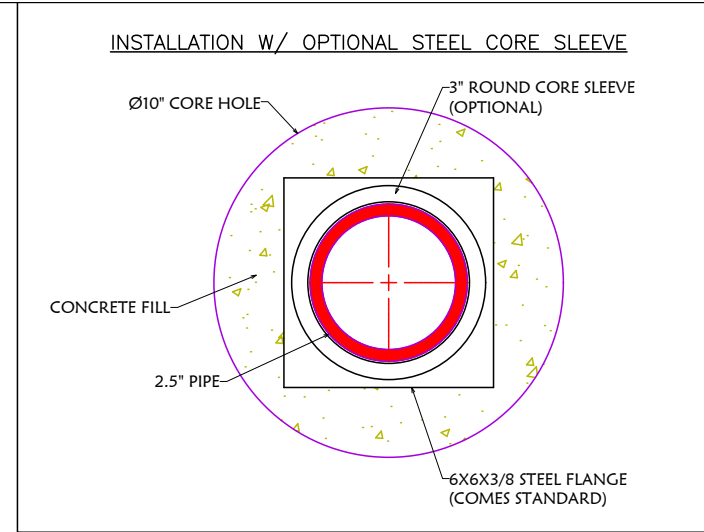
ONE LINE STANDARD GUARDRAIL SIZE CHART		
STANDARD LENGTH (A)	STANDARD HEIGHT (B)	POST TO POST LENGTH (C)
4'-0"	14.75", 27", 36", 42"	2'-0"
6'-0"	14.75", 27", 36", 42"	3'-0"
8'-0"	14.75", 27", 36", 42"	4'-0"
10'-0"	14.75", 27", 36", 42"	5'-0"
12'-0"	14.75", 27", 36", 42"	6'-0"
CUSTOM	CUSTOM	(C)=(A)/2



TOP VIEW

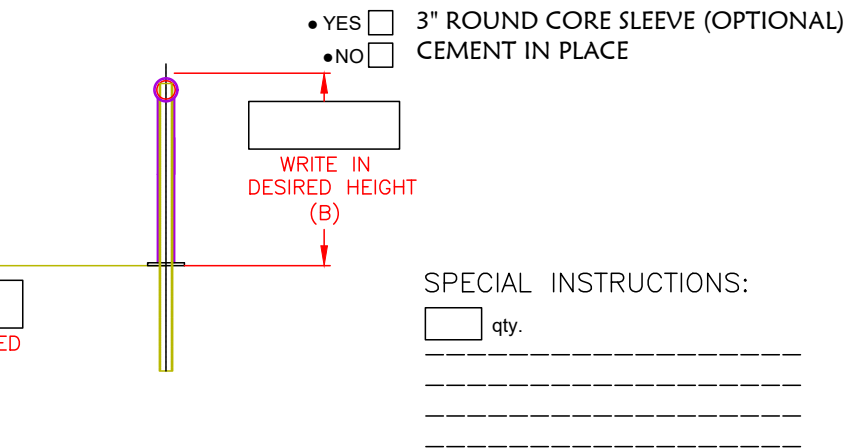


FRONT VIEW



INSTALLATION:
 FOR INSTALLATION SET PRODUCT IN AT LEAST 12"
 INCH DEEP HOLE AND FILL WITH CONCRETE

DETAIL 1



SIDE VIEW

THIS DRAWING AND ALL THE INFORMATION THEREON IS THE PROPERTY OF THE IDEAL SHIELD. IS CONFIDENTIAL AND MUST NOT BE MADE PUBLIC, NOR COPIED, NOR USED, TO THE DISADVANTAGE OF SAID IDEAL SHIELD AND IS SUBJECT TO RETURN ON DEMAND.
 COPYRIGHT 2003
 IDEAL SHIELD

NO.	REVISIONS	DATE	APPROVED

IDEAL SHIELD
 2525 Clark St.
 Detroit, MI 48209

PROJECT

CUSTOMER
APPROVED BY:

DESCRIPTION
 IDEAL SHIELD
 STANDARD GUARDRAIL
 CORED

DRAWN BY: DP	APPROVED BY:	DATE:
PROJECT NO.:	SCALE:	
PRICE:	DRAWING NO.:	
MATERIAL: STEEL & HDPE PLASTIC	SHEET 1 OF 1	

***SIGNATURE REQUIRED FOR SUBMITTAL**