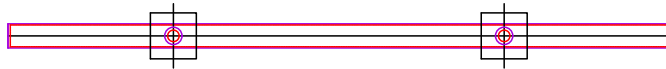
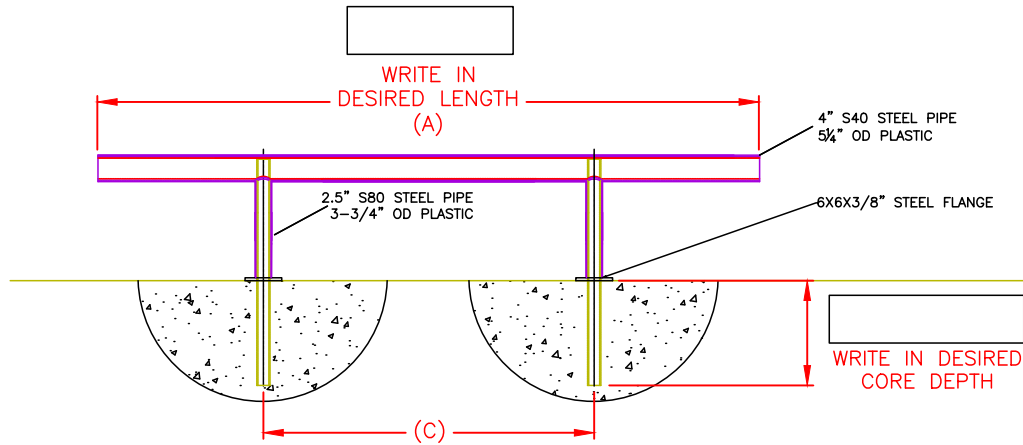


IDEAL SHIELD
 CORED ONE LINE STANDARD DROP IN GUARDRAIL
 PART#: SGR-1-LENGTH-HEIGHT-CORED

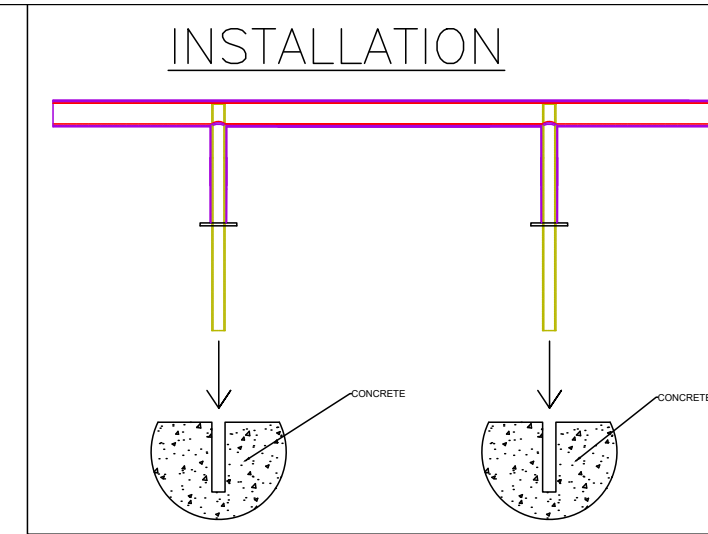
ONE LINE STANDARD GUARDRAIL SIZE CHART		
STANDARD LENGTH (A)	STANDARD HEIGHT (B)	POST TO POST LENGTH (C)
4'-0"	14.75", 27"	2'-0"
6'-0"	14.75", 27"	3'-0"
8'-0"	14.75", 27"	4'-0"
10'-0"	14.75", 27"	5'-0"
12'-0"	14.75", 27"	6'-0"
CUSTOM	CUSTOM - LOWER THAN 27"	(C)=(A)/2



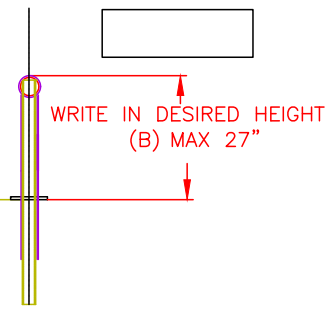
TOP VIEW



FRONT VIEW



EASY INSTALLATION:
 FOR INSTALLATION CORE 6"-8"
 INTO CONCRETE (TYPICALLY
 DEPTH OF CONCRETE) WITH
 2 7/8" DRILL BIT AND DROP IN
 PRODUCT



SIDE VIEW

SPECIAL INSTRUCTIONS:

qty.

THIS DRAWING AND ALL THE INFORMATION THEREON IS THE PROPERTY OF THE IDEAL SHIELD. IS CONFIDENTIAL AND MUST NOT BE MADE PUBLIC, NOR COPIED, NOR USED, TO THE DISADVANTAGE OF SAID IDEAL SHIELD AND IS SUBJECT TO RETURN ON DEMAND.

NO.	REVISIONS	DATE	APPROVED

IDEAL SHIELD
 2525 Clark St.
 Detroit, MI 48209

PROJECT

CUSTOMER

APPROVED BY:

DESCRIPTION

IDEAL SHIELD
 STANDARD GUARDRAIL
 DROP IN
 CORED

DRAWN BY: DP	APPROVED BY:	DATE:
PROJECT NO.:		SCALE:
PRICE:		DRAWING NO.:
MATERIAL: STEEL & HDPE PLASTIC		SHEET 1 OF 1

*SIGNATURE REQUIRED
 FOR SUBMITTAL