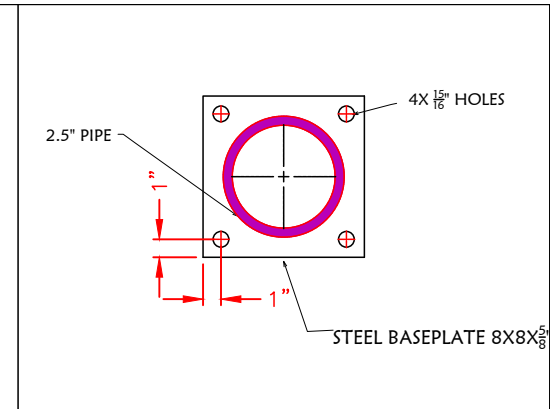


IDEAL SHIELD
 PLATED ONE LINE STANDARD GUARDRAIL
 PART#: SGR-1-LENGTH-HEIGHT-PLATED

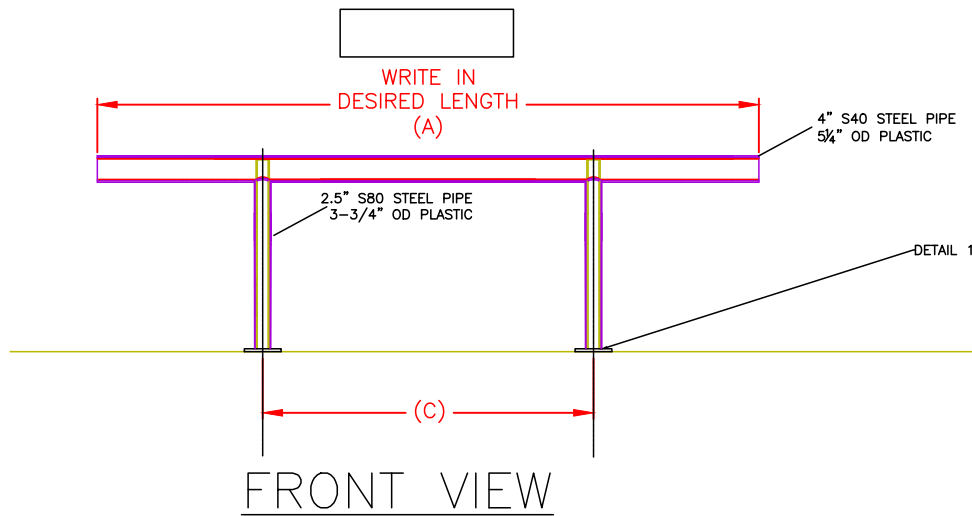
ONE LINE STANDARD GUARDRAIL SIZE CHART		
STANDARD LENGTH (A)	STANDARD HEIGHT (B)	POST TO POST LENGTH (C)
4'-0"	14.75", 27", 36", 42"	2'-0"
6'-0"	14.75", 27", 36", 42"	3'-0"
8'-0"	14.75", 27", 36", 42"	4'-0"
10'-0"	14.75", 27", 36", 42"	5'-0"
12'-0"	14.75", 27", 36", 42"	6'-0"
CUSTOM	CUSTOM	(C)=(A)/2



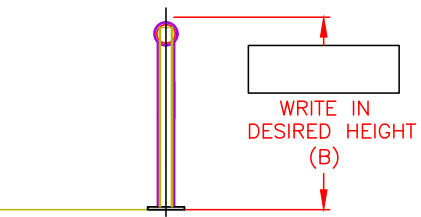
DETAIL 1



TOP VIEW



FRONT VIEW



SIDE VIEW

SPECIAL INSTRUCTIONS:

qty.

THIS DRAWING AND ALL THE INFORMATION THEREON IS THE PROPERTY OF THE IDEAL SHIELD. IS CONFIDENTIAL AND MUST NOT BE MADE PUBLIC, NOR COPIED, NOR USED, TO THE DISADVANTAGE OF SAID IDEAL SHIELD AND IS SUBJECT TO RETURN ON DEMAND.

NO.	REVISIONS	DATE	APPROVED

IDEAL SHIELD
 2525 Clark St.
 Detroit, MI 48209

PROJECT

CUSTOMER
APPROVED BY:

DESCRIPTION
 IDEAL SHIELD
 STANDARD GUARDRAIL
 PLATED

DRAWN BY: DP	APPROVED BY:	DATE:
PROJECT NO.:		SCALE:
PRICE:		DRAWING NO.:
MATERIAL: STEEL & HDPE PLASTIC		SHEET 1 OF 1

***SIGNATURE REQUIRED FOR SUBMITTAL**