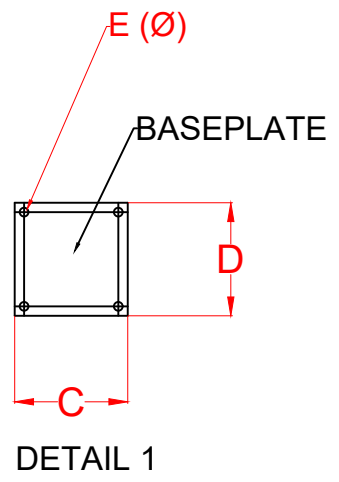
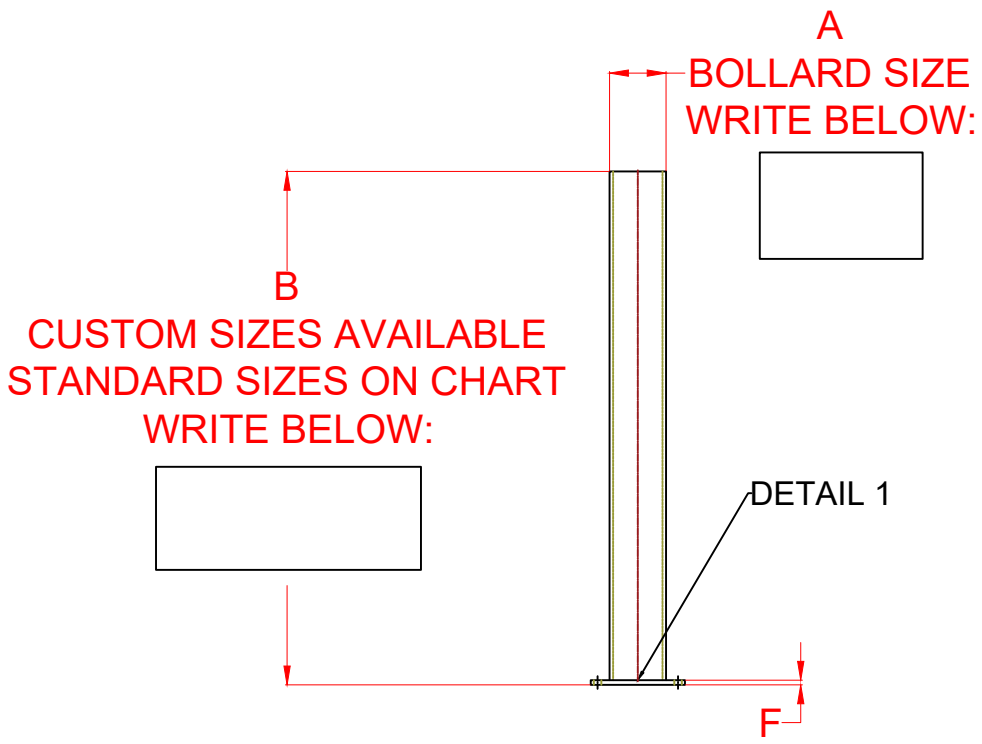




PLATED STEEL PIPE BOLLARD



QTY (WRITE BELOW):

BOLLARD COVER COLOR:

PIPE SCHEDULE (SELECT ONE):

SCH 40

SCHEDULE 80

FINISH OPTIONS (SELECT ONE):

PRIMED

GALVANIZED

BARE

BOLLARD COVER OPTIONS (SELECT ONE):

$\frac{1}{8}$ " BOLLARD COVER

$\frac{1}{4}$ " BOLLARD COVER

DECORATIVE BOLLARD COVER

STEEL BOLLARD AND BASEPLATE SIZE CHART

BOLLARD SIZE	A	B	C	D	E	F
4" PIPE BOLLARD	4.5"	52",48",42",36",27"	8"	8"	$\frac{15}{16}$ "	$\frac{1}{2}$ "
5" PIPE BOLLARD	5.563"	52",48",42",36",27"	10"	10"	$\frac{15}{16}$ "	$\frac{5}{8}$ "
6" PIPE BOLLARD	6.625"	52",48",42",36",27"	10"	10"	$\frac{15}{16}$ "	$\frac{5}{8}$ "
8" PIPE BOLLARD	8.625"	52",48",42",36",27"	12"	12"	$\frac{15}{16}$ "	$\frac{3}{4}$ "

THIS DRAWING AND ALL THE INFORMATION THEREON IS THE PROPERTY OF THE IDEAL SHIELD, IS CONFIDENTIAL AND MUST NOT BE MADE PUBLIC, NOR COPIED, NOR USED TO THE DISADVANTAGE OF SAID IDEAL SHIELD AND IS SUBJECT TO RETURN ON DEMAND.
COPYRIGHT 2020 IDEAL SHIELD ®

NO.	REVISIONS	DATE	APPROVED

IDEAL SHIELD
2525 Clark St.
Detroit, MI 48209

PROJECT

CUSTOMER

DESCRIPTION

DESIGN BY: D.P.
APPROVED BY:
DATE: 8/11/2020
PROJECT NO.:
SCALE:
DRAWING NO.:
SHEET OF