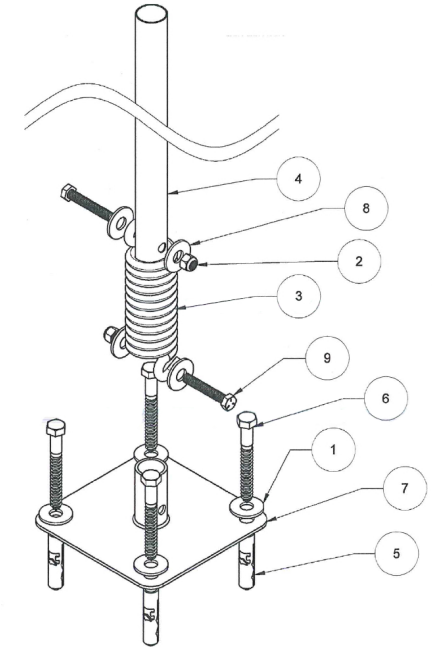




# FLEX BOLLARD : STANDARD SIGNPOST ASPHALT MODEL

ITEM NUMBER	QUANTITY	PART NUMBER	PART NAME	REVISION	COMMENT
1	4	33016	.625 FLAT WASHER ZINC		
2	2	37030	HEX LOCKNUT ZINC		
3	1	RE-SK	TORSION SPRING		
4	1	RE-6P	6 FT. POST GALVANIZED STEEL		
5	4	10240-08176	MUNGO PLUG		
6	4	22473	5 IN. LAG SCREW ZINC		
7	1	RE-BP	BASE PLATE		
8	4	33012	.5 FLAT WASHER ZINC		
9	2	13824	3 IN. HEX BOLT ZINC		



WWW.IDEALSHIELD.COM • (866) 825-8659 • PLEASE SUBMIT YOUR PRODUCT INQUIRY TO INFO@IDEALSHIELD.COM

THIS DRAWING AND ALL THE INFORMATION THEREON IS THE PROPERTY OF THE IDEAL SHIELD. IS CONFIDENTIAL AND MUST NOT BE MADE PUBLIC, NOR COPIED, NOR USED, TO THE DISADVANTAGE OF SAID IDEAL SHIELD AND IS SUBJECT TO RETURN ON DEMAND.

COPYRIGHT 2019, IDEAL SHIELD®

NO.	REVISIONS	DATE	APPROVED



2525 Clark St.  
Detroit, MI 48209

PROJECT	CUSTOMER	DESCRIPTION	DRAWN BY:	APPROVED BY:	DATE:
<b>FLEX BOLLARD: ASPHALT</b>					