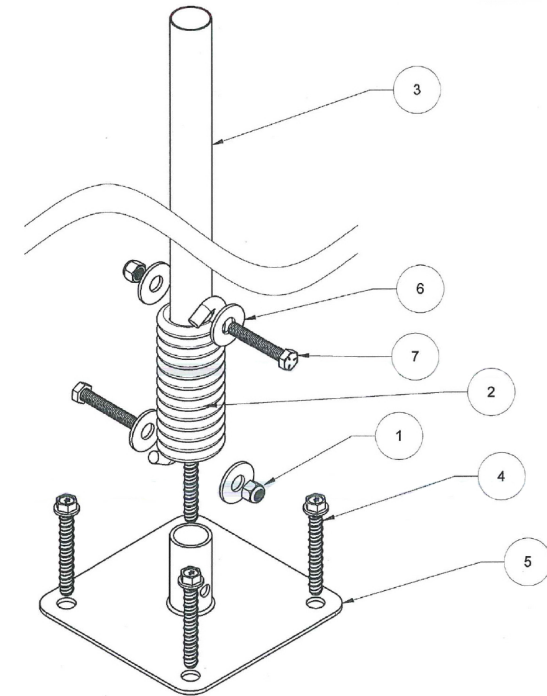




STANDARD FLEXIBLE BOLLARD BASE PLATE-CONCRETE

ITEM NUMBER	QUANTITY	PART NUMBER	PART NAME	REVISION	COMMENT
1	2	37030	HEX LOCKNUT-ZINC		
2	1	RE-SK	TORSION SPRING		
3	1	R;E-6P	6 FT POST GALVANIZED STE		
4	4	2140273	4 INCH WEDGE BOLT ZINC		
5	1	RE-BP	BASE PLATE		
6	4	33012	.5 FLAT WASHER ZINC		
7	2	13824	3 INCH HEX BOLT ZINC		



WWW.IDEALSHIELD.COM • (866) 825-8659 • PLEASE SUBMIT YOUR PRODUCT INQUIRY TO INFO@IDEALSHIELD.COM

THIS DRAWING AND ALL THE INFORMATION THEREON IS THE PROPERTY OF THE IDEAL SHIELD. IS CONFIDENTIAL AND MUST NOT BE MADE PUBLIC, NOR COPIED, NOR USED, TO THE DISADVANTAGE OF SAID IDEAL SHIELD AND IS SUBJECT TO RETURN ON DEMAND.

COPYRIGHT 2019, IDEAL SHIELD®

NO.	REVISIONS	DATE	APPROVED



2525 Clark St.
Detroit, MI 48209

PROJECT	CUSTOMER	DESCRIPTION	DRAWN BY:	APPROVED BY:	DATE:
FLEX BOLLARD: CONCRETE			PROJECT NO.:		SCALE:
			DRAWING NO.:		
			SHEET	OF	