

IDEAL SHIELD CORED STANDARD GUARDRAIL GATE

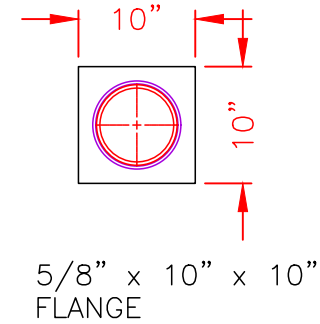
PART#: SGG-2-INSIDE LENGTH-48-CORED

WRITE REQUIRED INSIDE CLEARANCE:
(READ SIZE CHART BELOW)

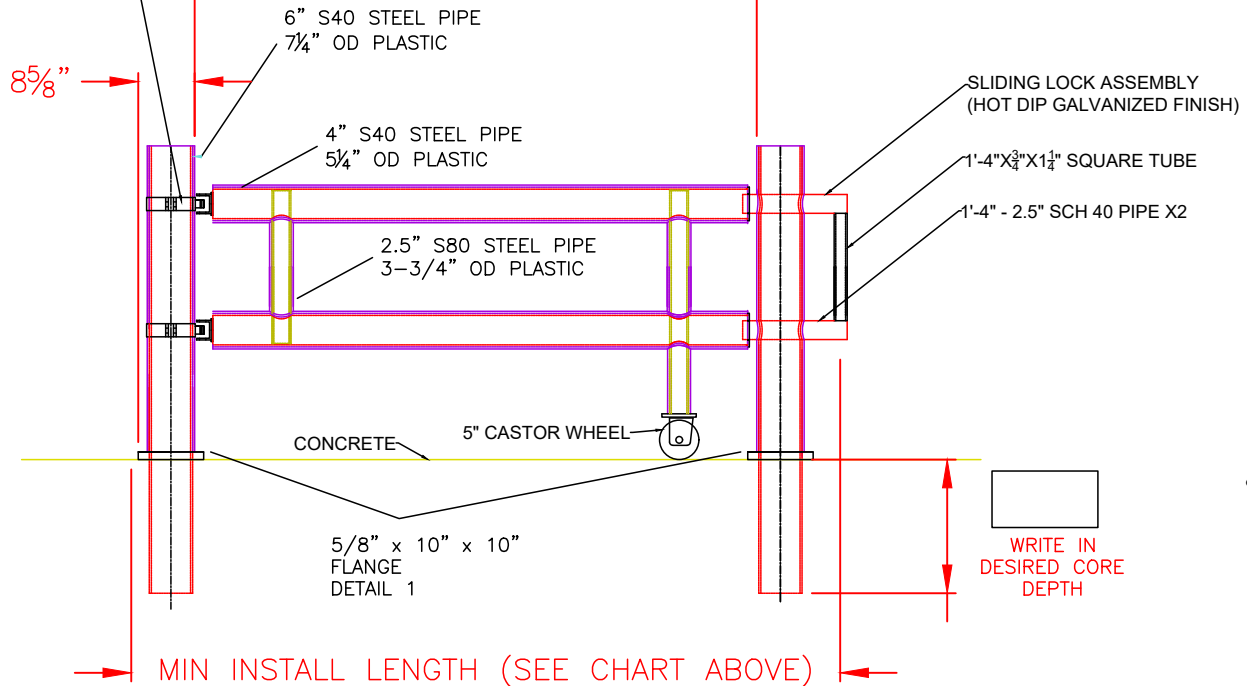
← REQUIRED INSIDE CLEARANCE →

STANDARD LENGTHS	
REQUIRED INSIDE CLEARANCE	MINIMUM INSTALL LENGTH
4'-0"	6'-9"
6'-0"	8'-9"
8'-0"	10'-9"
10'-0"	12'-9"
12'-0"	14'-9"
NOTE ADD 2'-9" FOR CUSTOM MINIMUM INSTALL LENGTH	

DETAIL 1



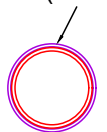
C12051 HINGE CLAMP X2



SPECIAL INSTRUCTIONS:

qty.

- YES STEEL FLOOR SLEEVE (7" ROUND)
- NO



WRITE IN
DESIRED CORE
DEPTH

THIS DRAWING AND ALL THE INFORMATION THEREON IS THE PROPERTY OF THE IDEAL SHIELD. IS CONFIDENTIAL AND MUST NOT BE MADE PUBLIC, NOR COPIED, NOR USED, TO THE DISADVANTAGE OF SAID IDEAL SHIELD AND IS SUBJECT TO RETURN ON DEMAND.
COPYRIGHT 2003
IDEAL SHIELD

NO.	REVISIONS	DATE	APPROVED

IDEAL SHIELD
2525 Clark St.
Detroit, MI 48209

PROJECT

CUSTOMER

APPROVED BY:

DESCRIPTION

CORED GOAL POST
WITH STANDARD GATE
CUSTOM

DRAWN BY: D.P.	APPROVED BY:	DATE:
PROJECT NO.:		SCALE: NA
DRAWING NO.:		
MATERIAL: PIPE & PLASTIC	SHEET	OF
	1	1

*SIGNATURE REQUIRED
FOR SUBMITTAL