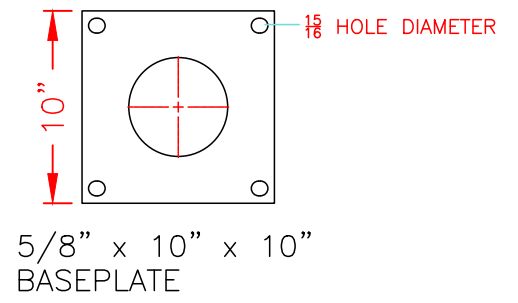


# IDEAL SHIELD PLATED STANDARD GUARDRAIL GATE PART#: SGG-2-INSIDE LENGTH-48-PLATED

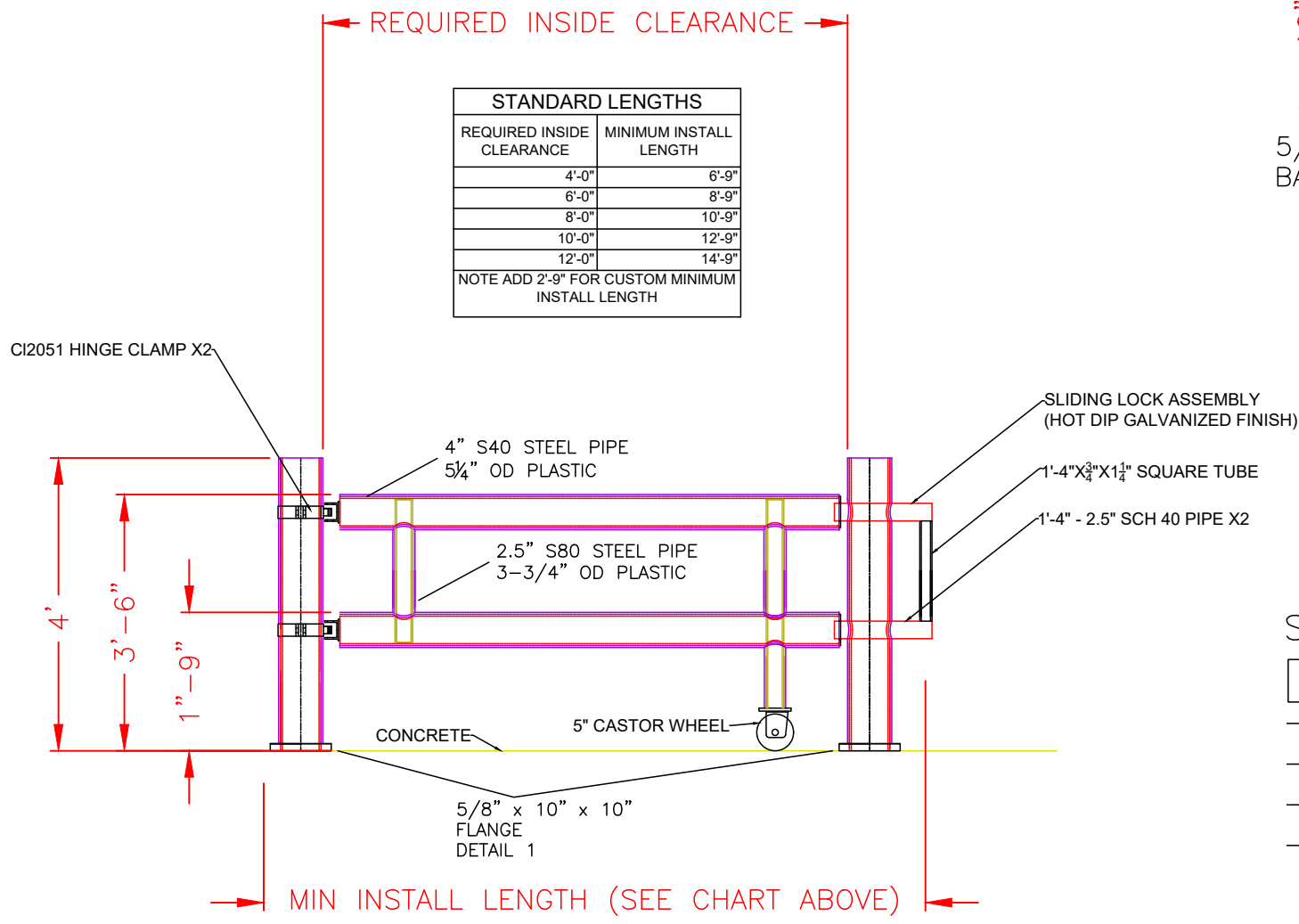
WRITE REQUIRED INSIDE CLEARANCE:   
(READ SIZE CHART BELOW)

DETAIL 1



STANDARD LENGTHS	
REQUIRED INSIDE CLEARANCE	MINIMUM INSTALL LENGTH
4'-0"	6'-9"
6'-0"	8'-9"
8'-0"	10'-9"
10'-0"	12'-9"
12'-0"	14'-9"

NOTE ADD 2'-9" FOR CUSTOM MINIMUM INSTALL LENGTH



SPECIAL INSTRUCTIONS:

qty.

-----

-----

-----

-----

THIS DRAWING AND ALL THE INFORMATION THEREON IS THE PROPERTY OF THE IDEAL SHIELD. IS CONFIDENTIAL AND MUST NOT BE MADE PUBLIC, NOR COPIED, NOR USED, TO THE DISADVANTAGE OF SAID IDEAL SHIELD AND IS SUBJECT TO RETURN ON DEMAND.  COPYRIGHT 2003 IDEAL SHIELD	<table border="1" style="width: 100%; border-collapse: collapse;"> <thead> <tr> <th>NO.</th> <th>REVISIONS</th> <th>DATE</th> <th>APPROVED</th> </tr> </thead> <tbody> <tr><td> </td><td> </td><td> </td><td> </td></tr> <tr><td> </td><td> </td><td> </td><td> </td></tr> <tr><td> </td><td> </td><td> </td><td> </td></tr> <tr><td> </td><td> </td><td> </td><td> </td></tr> <tr><td> </td><td> </td><td> </td><td> </td></tr> <tr><td> </td><td> </td><td> </td><td> </td></tr> </tbody> </table>	NO.	REVISIONS	DATE	APPROVED																									 2525 Clark St. Detroit, MI 48209	PROJECT: _____ CUSTOMER: _____	<b>APPROVED BY:</b> _____ _____ _____	DESCRIPTION: PLATED GOAL POST WITH STANDARD GUARDRAIL GATE CUSTOM	DRAWN BY: D.P. PROJECT NO.: - DATE: _____ MATERIAL: PIPE & PLASTIC	APPROVED BY: _____ DATE: _____ SCALE: NA DRAWING NO.: _____ SHEET: 1 OF 1
NO.	REVISIONS	DATE	APPROVED																																

\*SIGNATURE REQUIRED  
FOR SUBMITTAL