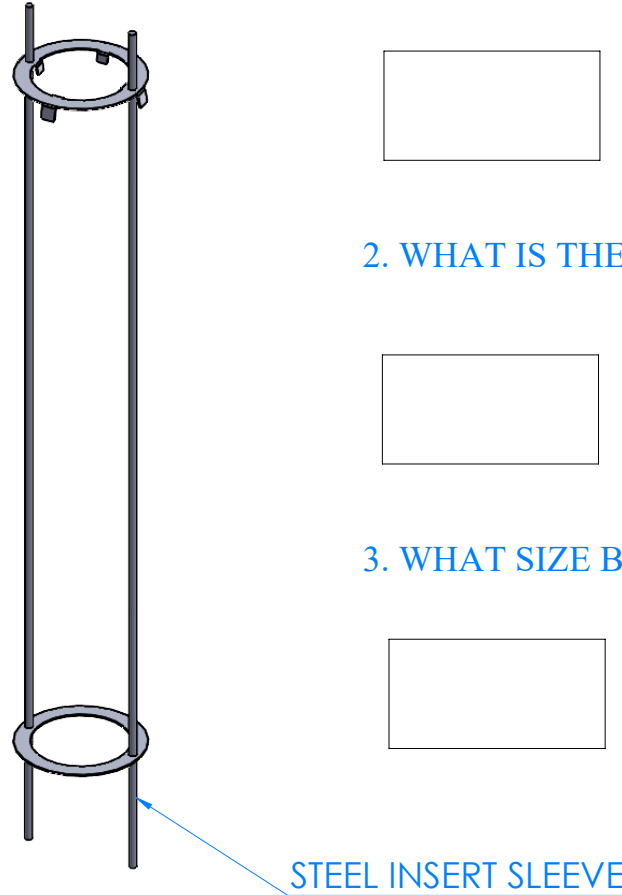
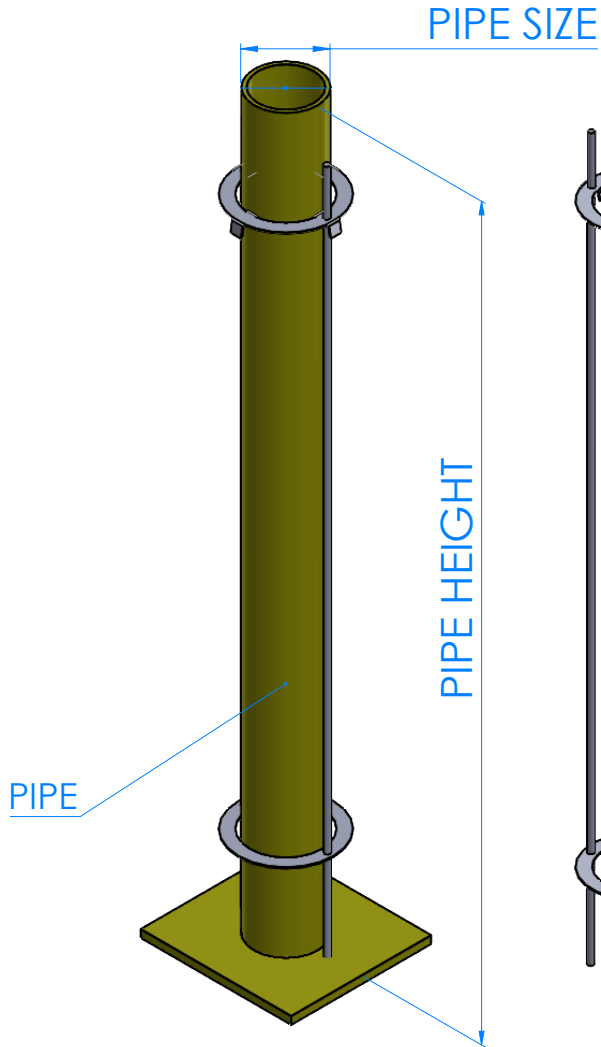


STEEL INSERT SLEEVE ORDER FORM



1. WHAT SIZE STEEL PIPE DO YOU HAVE?

 INCHES

2. WHAT IS THE PIPE HEIGHT ABOVE GROUND?

 INCHES

3. WHAT SIZE BOLLARD COVER ARE YOU USING?

 INCHES

THIS DRAWING AND ALL THE INFORMATION THEREON IS THE PROPERTY OF THE IDEAL SHIELD. IS CONFIDENTIAL AND MUST NOT BE MADE PUBLIC, NOR COPIED, NOR USED, TO THE DISADVANTAGE OF SAID IDEAL SHIELD AND IS SUBJECT TO RETURN ON DEMAND.
COPYRIGHT © 2020 IDEAL SHIELD.

NO.	REVISIONS	DATE	APPROVED


2525 Clark St.
Detroit, MI 48209

PROJECT	CUSTOMER

DESCRIPTION
STEEL INSERT SLEEVE

DESIGN BY	APPROVED BY	DATE
D.P.		8/11/2020
PROJECT NO.		SCALE
FINISH		DRAWING NO.
MATERIAL		SHEET OF