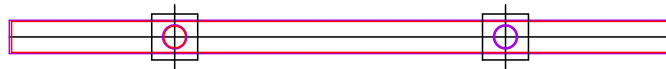
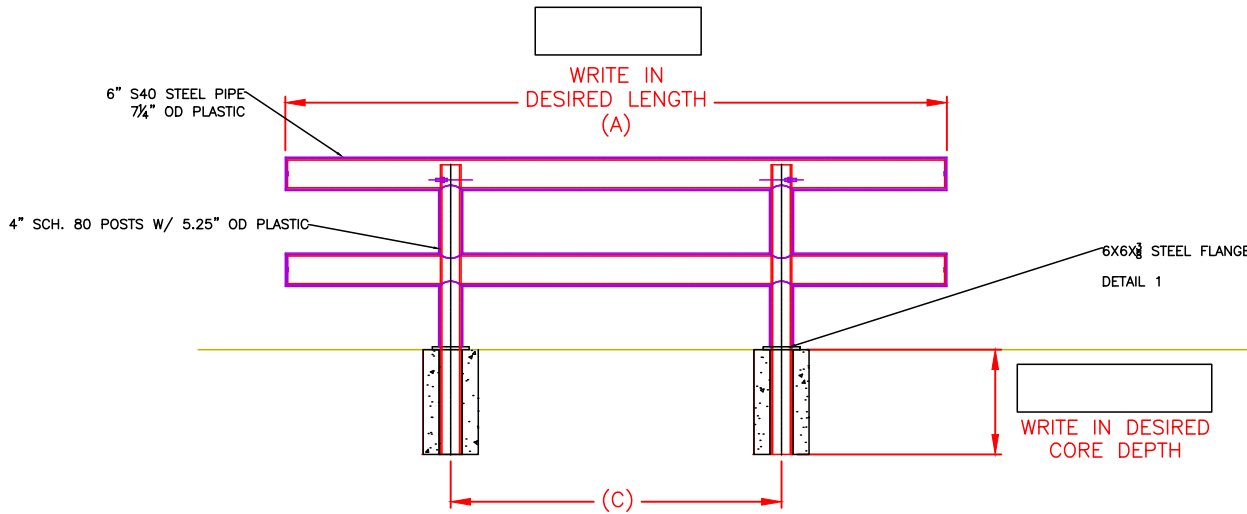


IDEAL SHIELD
 CORED TWO LINE HEAVY GUARDRAIL
 PART#: HGR-2-LENGTH-HEIGHT-CORED

TWO LINE HEAVY GUARDRAIL SIZE CHART		
STANDARD LENGTH (A)	STANDARD HEIGHT (B)	POST TO POST LENGTH (C)
4'-0"	27",36",42"	2'-0"
6'-0"	27",36",42"	3'-0"
8'-0"	27",36",42"	4'-0"
10'-0"	27",36",42"	5'-0"
12'-0"	27",36",42"	6'-0"
CUSTOM	CUSTOM	(C)=(A)/2

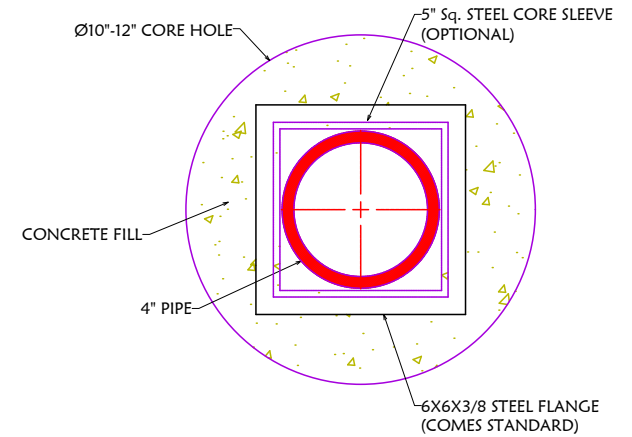


TOP VIEW



FRONT VIEW

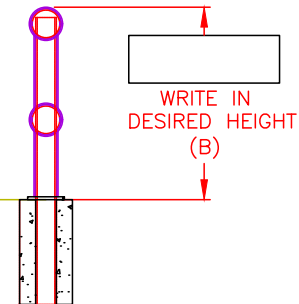
INSTALLATION W/ OPTIONAL STEEL CORE SLEEVE



INSTALLATION:
 FOR INSTALLATION SET PRODUCT IN AT LEAST 12"
 INCH DEEP HOLE AND FILL WITH CONCRETE

DETAIL 1

- YES 5" Sq. STEEL CORE SLEEVE (OPTIONAL)
- NO CEMENT IN



SIDE VIEW

SPECIAL INSTRUCTIONS:

qty.

THIS DRAWING AND ALL THE INFORMATION THEREON IS THE PROPERTY OF THE IDEAL SHIELD. IS CONFIDENTIAL AND MUST NOT BE MADE PUBLIC, NOR COPIED, NOR USED, TO THE DISADVANTAGE OF SAID IDEAL SHIELD AND IS SUBJECT TO RETURN ON DEMAND.

NO.	REVISIONS	DATE	APPROVED

IDEAL SHIELD
 2525 Clark St.
 Detroit, MI 48209

PROJECT

CUSTOMER

APPROVED BY:

DESCRIPTION

IDEAL SHIELD
 HEAVY GUARDRAIL
 CORED

DRAWN BY: DP	APPROVED BY:	DATE:
PROJECT NO.:	SCALE:	
DRAWING NO.:		
MATERIAL: STEEL & HDPE PLASTIC	SHEET 1	OF 1

***SIGNATURE REQUIRED
 FOR SUBMITTAL**