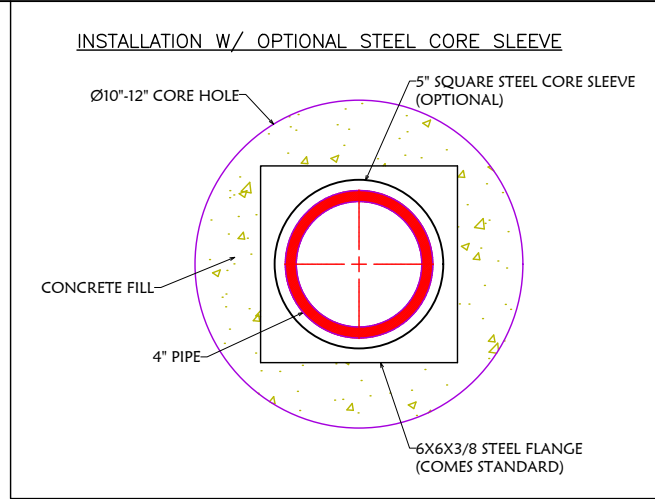




IDEAL SHIELD
 CORED ONE LINE BARRIER GUARD STANDARD
 PART#: BGS-1-LENGTH-POST SPACING-HEIGHT-CORED

ONE LINE STANDARD GUARDRAIL SIZE CHART	
STANDARD LENGTH (A)	STANDARD HEIGHT (B)
4'-0"	14.75", 27"
6'-0"	14.75", 27"
8'-0"	14.75", 27"
CUSTOM	CUSTOM



INSTALLATION:
 INSTALLATION INSTRUCTION AVAILABLE ON WEBSITE

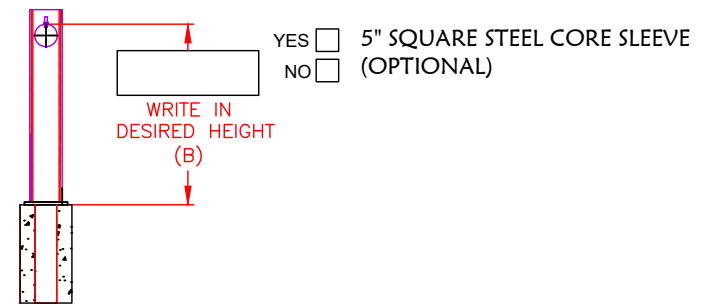
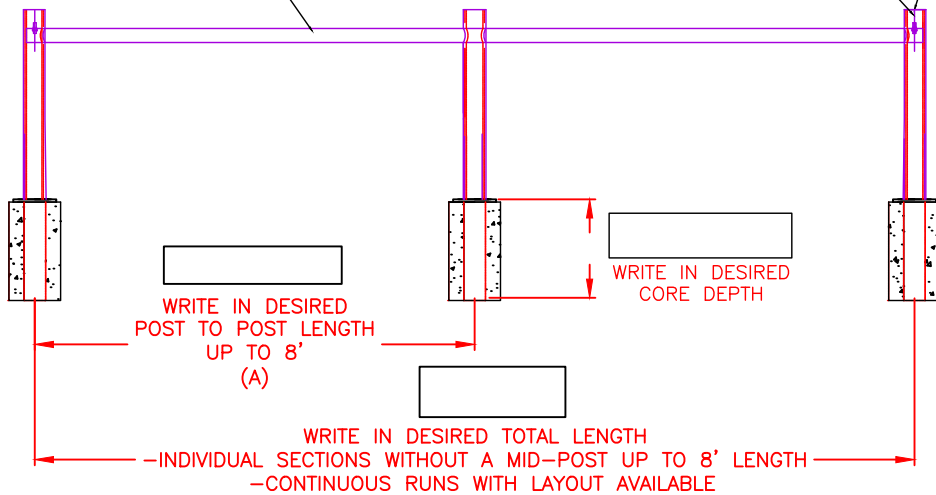
2.5" SCH. 80 RAILS
 W/ 3.25" OD PLASTIC

4" S40 STEEL PIPE

5.25" OD PLASTIC WITH CAP

LOCKING BACK OUT BOLT EVERY 8'

DETAIL 1



FRONT VIEW

SIDE VIEW

SPECIAL INSTRUCTIONS:

qty.

THIS DRAWING AND ALL THE INFORMATION THEREON IS THE PROPERTY OF THE IDEAL SHIELD. IS CONFIDENTIAL AND MUST NOT BE MADE PUBLIC, NOR COPIED, NOR USED TO THE DISADVANTAGE OF SAID IDEAL SHIELD AND IS SUBJECT TO RETURN ON DEMAND.

COPYRIGHT 2003
 IDEAL SHIELD

NO.	REVISIONS	DATE	APPROVED

MANUFACTURER OF IDEAL SHIELD
IDEAL SHIELD
 THE GUARDRAIL SYSTEM

2525 Clark St.
 Detroit, MI 48209

PROJECT

CUSTOMER

DESCRIPTION

IDEAL SHIELD
 BARRIER GUARD STANDARD
 CORED
 ONE LINE

DRAWN BY: DP	APPROVED BY:	DATE:
PROJECT NO: -		SCALE:
DRAWING NO:		
SHEET: 1	OF: 1	