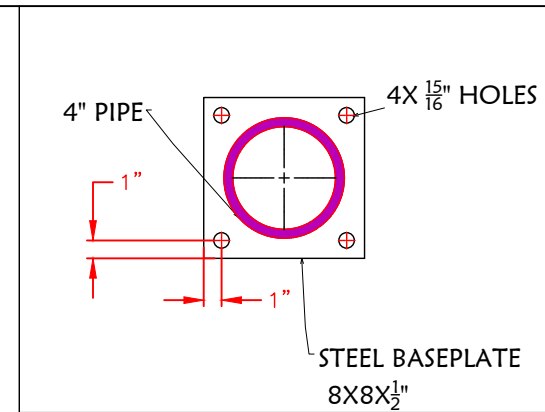


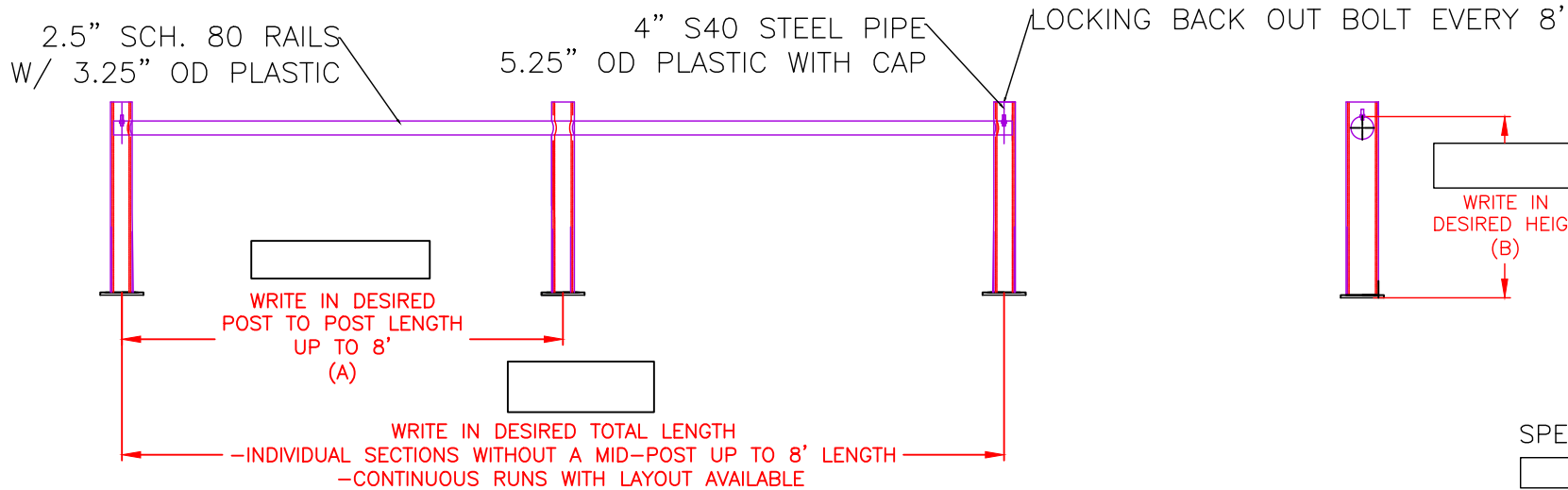


IDEAL SHIELD
 PLATED ONE LINE BARRIER GUARD STANDARD
 PART#: BGS-1-LENGTH-POST SPACING-HEIGHT-PLATED

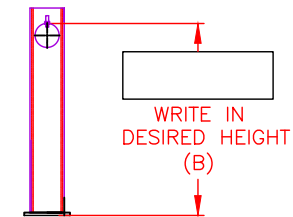
| ONE LINE STANDARD GUARDRAIL SIZE CHART | |
|--|---------------------|
| STANDARD LENGTH (A) | STANDARD HEIGHT (B) |
| 4'-0" | 14.75", 27"-MAX |
| 6'-0" | 14.75", 27"-MAX |
| 8'-0" | 14.75", 27"-MAX |
| 10'-0" | 14.75", 27"-MAX |
| CUSTOM | CUSTOM |



DETAIL 1



FRONT VIEW



SIDE VIEW

SPECIAL INSTRUCTIONS:

qty.

THIS DRAWING AND ALL THE INFORMATION THEREON IS THE PROPERTY OF THE IDEAL SHIELD. IS CONFIDENTIAL AND MUST NOT BE MADE PUBLIC, NOR COPIED, NOR USED TO THE DISADVANTAGE OF SAID IDEAL SHIELD AND IS SUBJECT TO RETURN ON DEMAND.
 COPYRIGHT 2003
 IDEAL SHIELD

| NO. | REVISIONS | DATE | APPROVED |
|-----|-----------|------|----------|
| | | | |
| | | | |
| | | | |
| | | | |

IDEAL SHIELD
 2525 Clark St.
 Detroit, MI 48209

PROJECT

CUSTOMER

DESCRIPTION
 IDEAL SHIELD
 BARRIER GUARD STANDARD
 PLATED
 ONE LINE

| | | |
|-------------------------------|--------------|-------|
| DRAWN BY: DP | APPROVED BY: | DATE: |
| PROJECT NO: - | SCALE: | |
| DRAWING NO: | SHEET 1 OF 1 | |
| GENERAL: STEEL & HDPE PLASTIC | | |