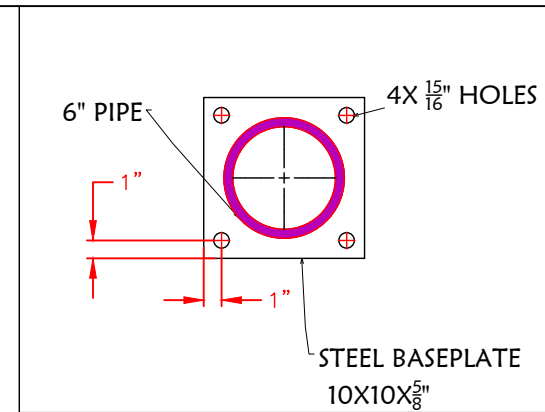


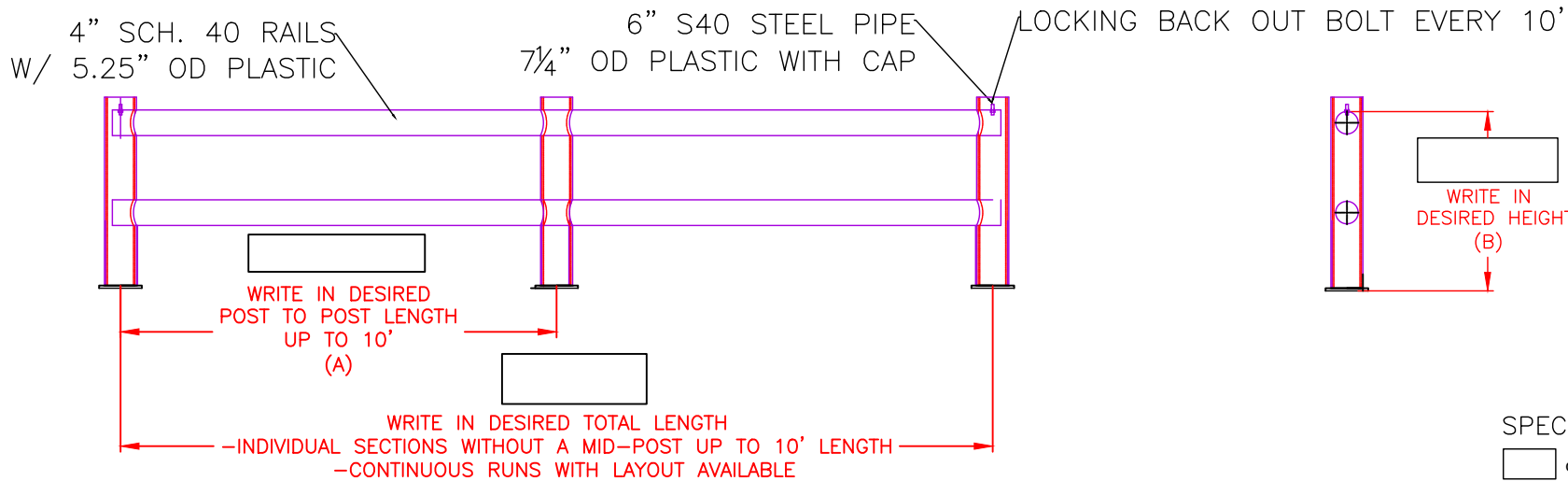


IDEAL SHIELD
 PLATED TWO LINE BARRIER GUARD HEAVY
 PART#: BGH-2-LENGTH-POST SPACING-HEIGHT-PLATED

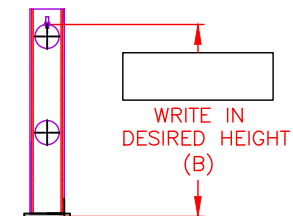
TWO LINE HEAVY GUARDRAIL SIZE CHART		
STANDARD LENGTH (A)	STANDARD HEIGHT (B)	SECOND RAIL HEIGHT (C)
4'-0"	27",36",42"	HALF OF HEIGHT
6'-0"	27",36",42"	HALF OF HEIGHT
8'-0"	27",36",42"	HALF OF HEIGHT
10'-0"	27",36",42"	HALF OF HEIGHT
CUSTOM	CUSTOM	CUSTOM



DETAIL 1



FRONT VIEW



SIDE VIEW

SPECIAL INSTRUCTIONS:

qty.

THIS DRAWING AND ALL THE INFORMATION THEREON IS THE PROPERTY OF THE IDEAL SHIELD. IS CONFIDENTIAL AND MUST NOT BE MADE PUBLIC, NOR COPIED, NOR USED, TO THE DISADVANTAGE OF SAID IDEAL SHIELD AND IS SUBJECT TO RETURN ON DEMAND.
 COPYRIGHT 2003
 IDEAL SHIELD

NO.	REVISIONS	DATE	APPROVED

IDEAL SHIELD
 MANUFACTURER OF IDEAL SHIELD
 PLATED BARRIER SYSTEMS
 2525 Clark St.
 Detroit, MI 48209

PROJECT

CUSTOMER

DESCRIPTION
 IDEAL SHIELD
 BARRIER GUARD HEAVY
 PLATED
 TWO LINE

DRAWN BY: DP	APPROVED BY:	DATE:
PROJECT NO: -		SCALE:
DRAWING NO:		
SHEET: 1	OF: 1	