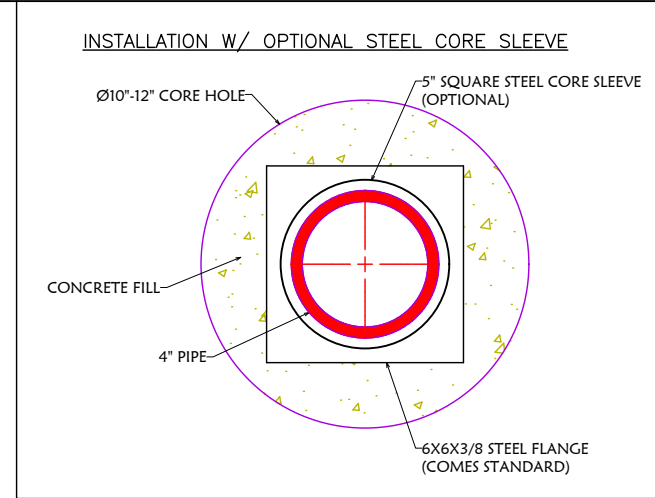




IDEAL SHIELD
 CORED TWO LINE BARRIER GUARD STANDARD
 PART#: BGS-2-LENGTH-POST SPACING-HEIGHT-CORED

TWO LINE STANDARD GUARDRAIL SIZE CHART		
STANDARD LENGTH (A)	STANDARD HEIGHT (B)	SECOND RAIL HEIGHT (C)
4'-0"	27",36",42"	HALF OF HEIGHT
6'-0"	27",36",42"	HALF OF HEIGHT
8'-0"	27",36",42"	HALF OF HEIGHT
10'-0"	27",36",42"	HALF OF HEIGHT
CUSTOM	CUSTOM	CUSTOM



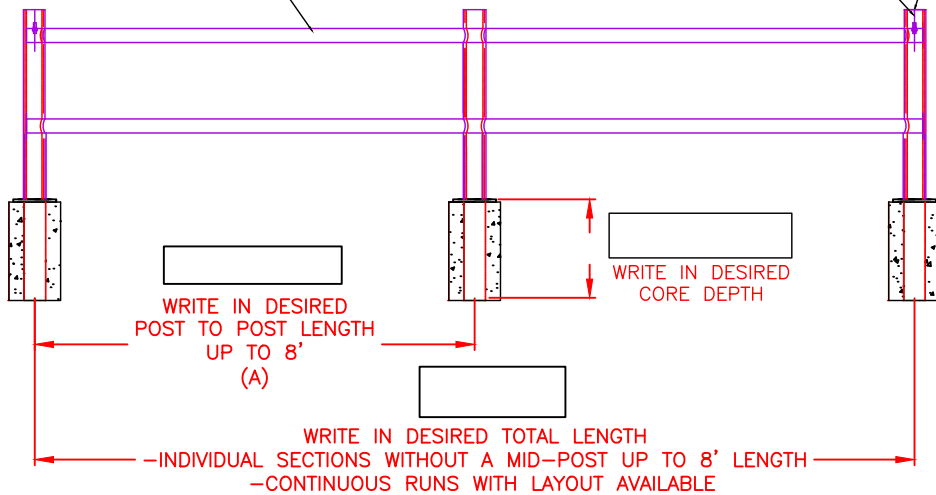
INSTALLATION:
 INSTALLATION INSTRUCTION AVAILABLE ON WEBSITE

2.5" SCH. 80 RAILS
 W/ 3.25" OD PLASTIC

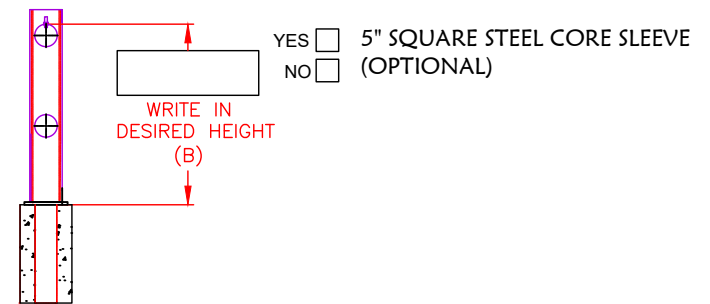
4" S40 STEEL PIPE
 5.25" OD PLASTIC WITH CAP

LOCKING BACK OUT BOLT EVERY 8'

DETAIL 1



FRONT VIEW



SIDE VIEW

YES 5" SQUARE STEEL CORE SLEEVE
 NO (OPTIONAL)

SPECIAL INSTRUCTIONS:

qty.

THIS DRAWING AND ALL THE INFORMATION THEREON IS THE PROPERTY OF THE IDEAL SHIELD. IS CONFIDENTIAL AND MUST NOT BE MADE PUBLIC, NOR COPIED, NOR USED, TO THE DISADVANTAGE OF SAID IDEAL SHIELD AND IS SUBJECT TO RETURN ON DEMAND.

COPYRIGHT 2003
 IDEAL SHIELD

NO.	REVISIONS	DATE	APPROVED

IDEAL SHIELD
 2525 Clark St.
 Detroit, MI 48209

PROJECT

CUSTOMER

DESCRIPTION
 IDEAL SHIELD
 BARRIER GUARD STANDARD
 CORED
 TWO LINE

DRAWN BY: DP	APPROVED BY:	DATE:
PROJECT NO: -		SCALE:
DRAWING NO:		
MATERIAL: STEEL & HDPE PLASTIC	SHEET 1	OF 1