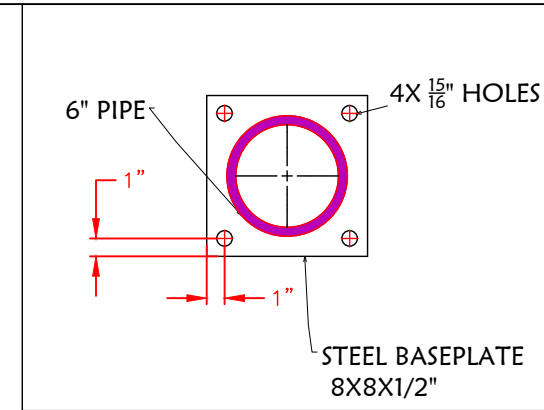


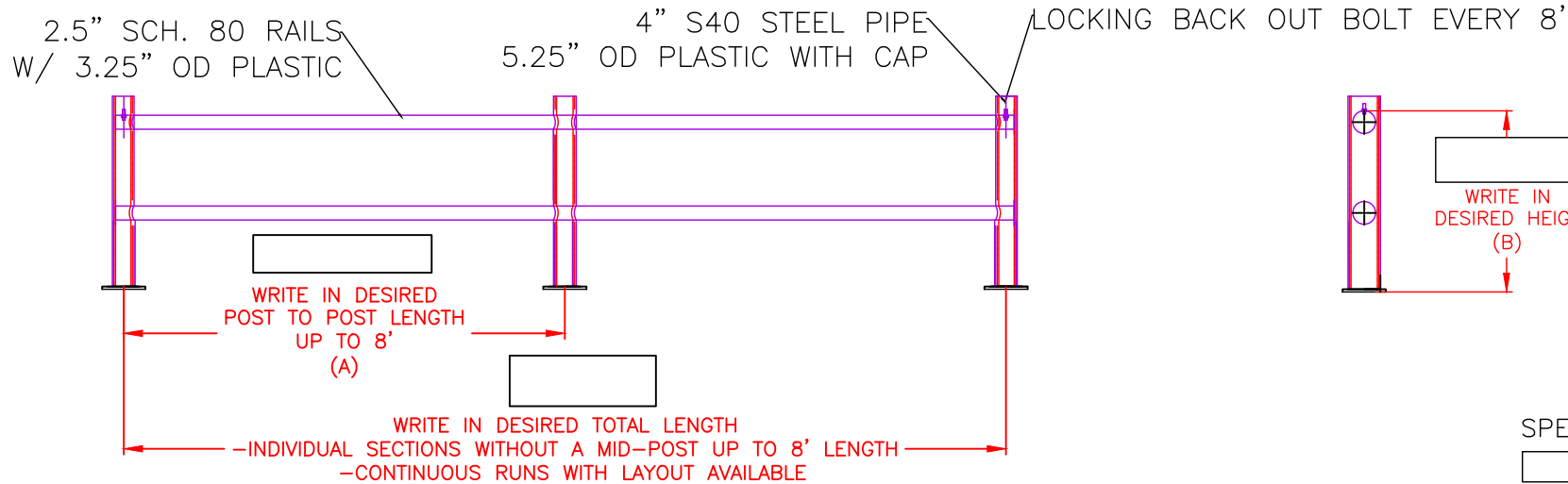


IDEAL SHIELD
 PLATED TWO LINE BARRIER GUARD STANDARD
 PART#: BGS-2-LENGTH-POST SPACING-HEIGHT-PLATED

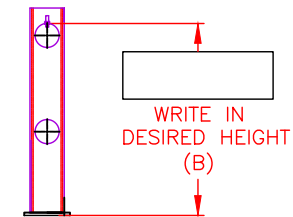
TWO LINE STANDARD GUARDRAIL SIZE CHART		
STANDARD LENGTH (A)	STANDARD HEIGHT (B)	SECOND RAIL HEIGHT (C)
4'-0"	27",36",42"	HALF OF HEIGHT
6'-0"	27",36",42"	HALF OF HEIGHT
8'-0"	27",36",42"	HALF OF HEIGHT
CUSTOM	CUSTOM	CUSTOM



DETAIL 1



FRONT VIEW



SIDE VIEW

SPECIAL INSTRUCTIONS:

qty.

THIS DRAWING AND ALL THE INFORMATION THEREON IS THE PROPERTY OF THE IDEAL SHIELD. IS CONFIDENTIAL AND MUST NOT BE MADE PUBLIC, NOR COPIED, NOR USED TO THE DISADVANTAGE OF SAID IDEAL SHIELD AND IS SUBJECT TO RETURN ON DEMAND.
 COPYRIGHT 2003
 IDEAL SHIELD

NO.	REVISIONS	DATE	APPROVED

IDEAL SHIELD
 MANUFACTURER OF IDEAL SHIELD BARRIER GUARD SYSTEMS
 2525 Clark St.
 Detroit, MI 48209

PROJECT _____
 CUSTOMER _____

DESCRIPTION
 IDEAL SHIELD
 BARRIER GUARD STANDARD
 PLATED
 TWO LINE

DRAWN BY: DP
 PROJECT NO: -
 SHEET: _____ OF _____

APPROVED BY: _____
 DATE: _____
 SCALE: _____
 DRAWING NO: _____
 SHEET 1 OF 1