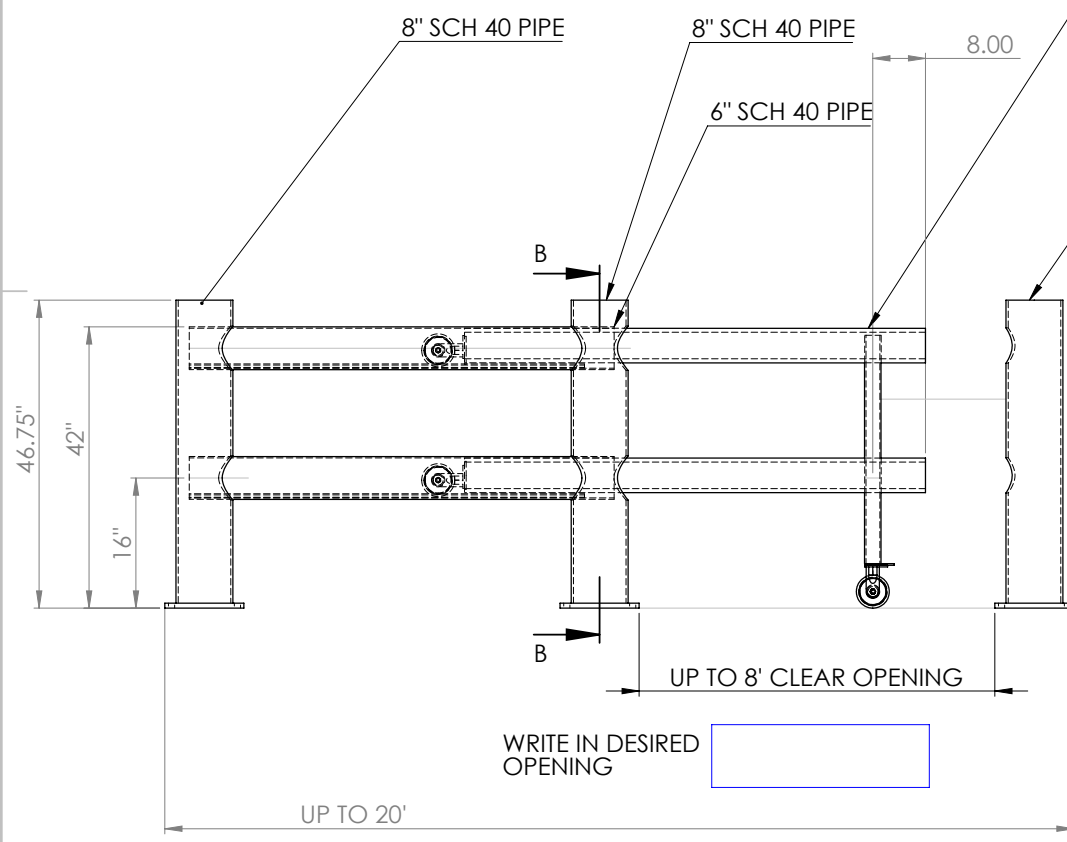
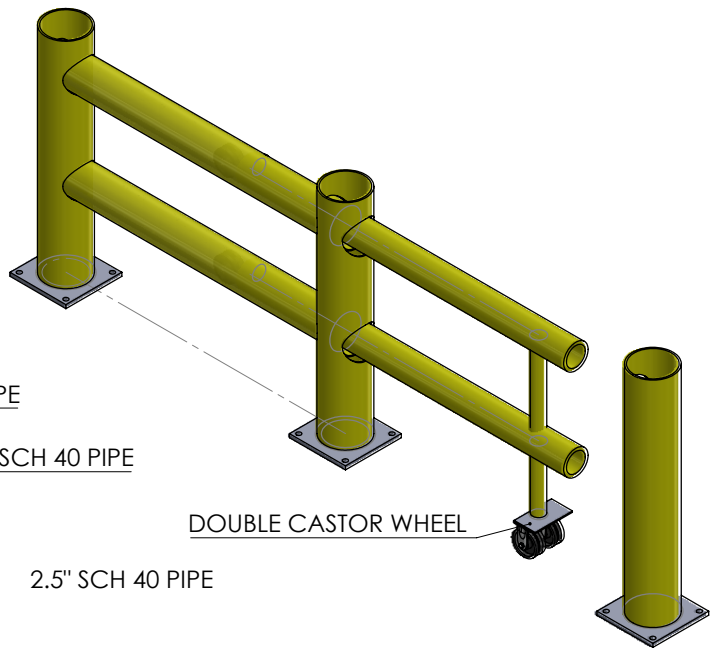
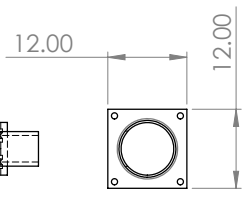


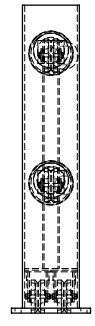
TOP VIEW



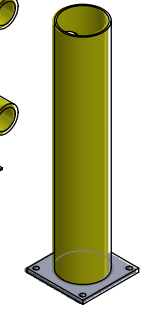
FRONT VIEW

DOUBLE CASTOR WHEEL

12X12X.75" BP



SIDE VIEW



SECTION B-B

UNLESS OTHERWISE SPECIFIED:  
 DIMENSIONS ARE IN INCHES  
 SURFACE FINISH:  
 TOLERANCES:  
 LINEAR:  
 ANGULAR:

FINISH:

DEBURR AND  
 BREAK SHARP  
 EDGES

DO NOT SCALE DRAWING

REVISION

	NAME	SIGNATURE	DATE
DRAWN			
CHK'D			
APP'VD			
MFG			
Q.A.			

MATERIAL:

WEIGHT:



DWG. NO.

HGS-01

A3

SCALE: 1:20

SHEET 1 OF 1