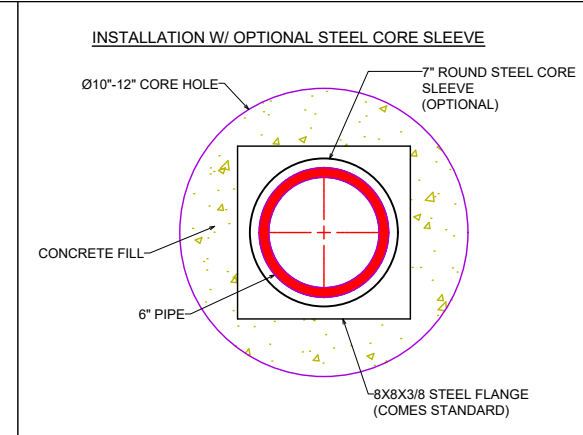


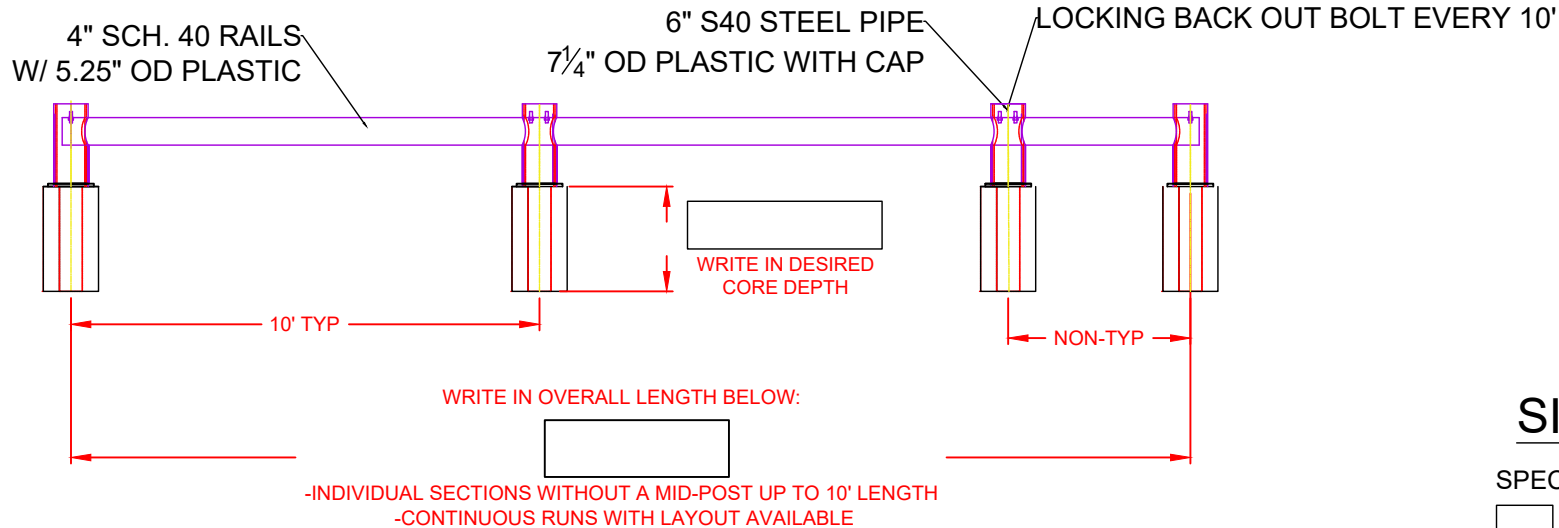


CORED ONE LINE BARRIER GUARD HEAVY

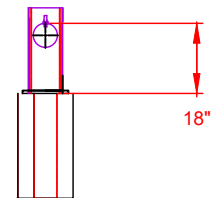
PART#: BGH-1-LENGTH-18"-CORED-24



DETAIL 1



FRONT VIEW



SIDE VIEW

SPECIAL INSTRUCTIONS:

QTY

THIS DRAWING AND ALL THE INFORMATION THEREON IS THE PROPERTY OF THE IDEAL SHIELD. IS CONFIDENTIAL AND MUST NOT BE MADE PUBLIC, NOR COPIED, NOR USED, TO THE DISADVANTAGE OF SAID IDEAL SHIELD AND IS SUBJECT TO RETURN ON DEMAND.

COPYRIGHT 2003
IDEAL SHIELD

NO.	REVISIONS	DATE	APPROVED

2525 Clark St.
Detroit, MI 48209

PROJECT

CUSTOMER

DESCRIPTION

IDEAL SHIELD
ONE LINE
BARRIER GUARD HEAVY
CORED

DRAWN BY: DP	APPROVED BY:	DATE: 12/19/2022
PROJECT NO.:		SCALE:
REVISED:		DRAWING NO.:
MATERIAL: STEEL & HDPE PLASTIC		SHEET 1 OF 1