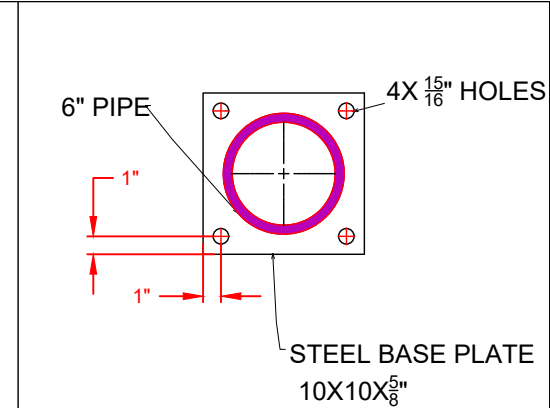
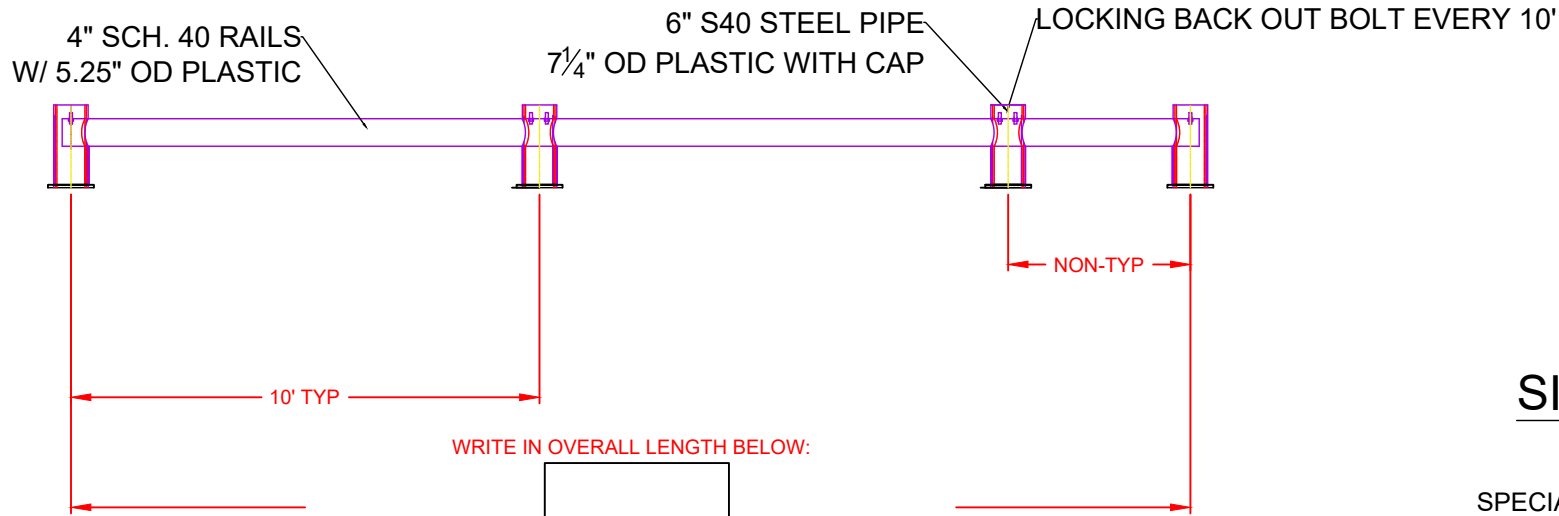




PLATED ONE LINE BARRIER GUARD HEAVY
PART#: BGH-1-LENGTH-18"-PLATED



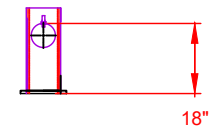
DETAIL 1



WRITE IN OVERALL LENGTH BELOW:

 -INDIVIDUAL SECTIONS WITHOUT A MID-POST UP TO 10' LENGTH
 -CONTINUOUS RUNS WITH LAYOUT AVAILABLE

FRONT VIEW



SIDE VIEW

SPECIAL INSTRUCTIONS:

QTY

THIS DRAWING AND ALL THE INFORMATION THEREON IS THE PROPERTY OF THE IDEAL SHIELD. IS CONFIDENTIAL AND MUST NOT BE MADE PUBLIC, NOR COPIED, NOR USED, TO THE DISADVANTAGE OF SAID IDEAL SHIELD AND IS SUBJECT TO RETURN ON DEMAND.
 COPYRIGHT 2003
 IDEAL SHIELD

NO.	REVISIONS	DATE	APPROVED

idealSHIELD
 2525 Clark St.
 Detroit, MI 48209

PROJECT

CUSTOMER

DESCRIPTION
 IDEAL SHIELD
 ONE LINE
 BARRIER GUARD HEAVY
 PLATED

DRAWN BY: DP	APPROVED BY:	DATE:
PROJECT NO.:		SCALE:
DRAWING NO.:		
SHEET 1 OF 1		