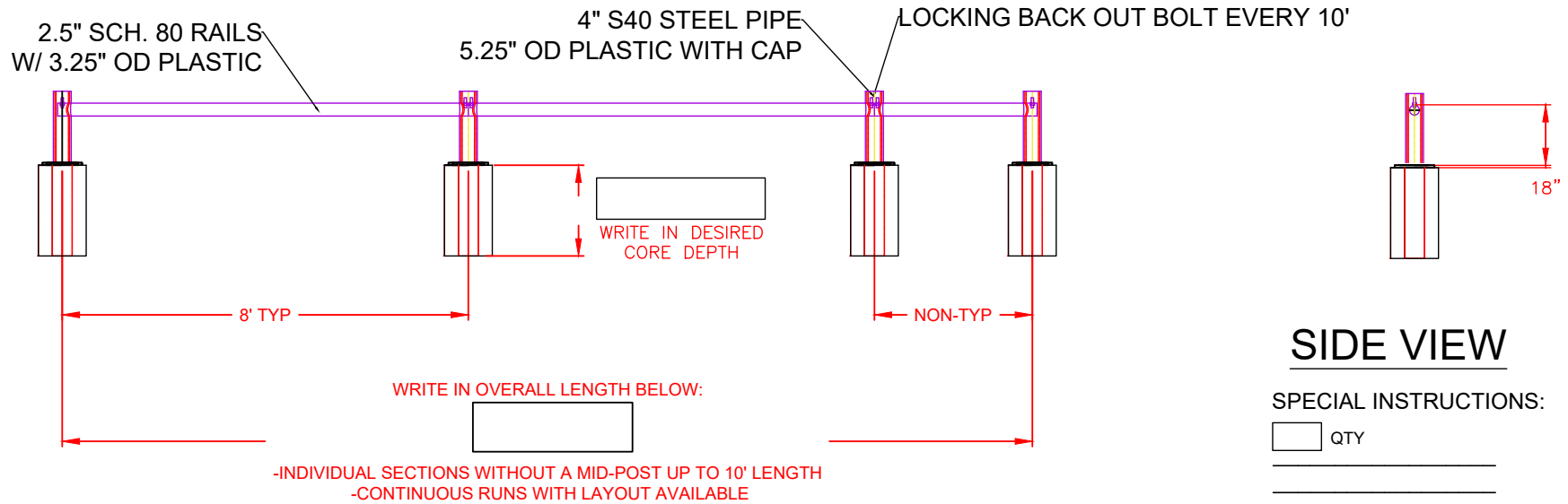
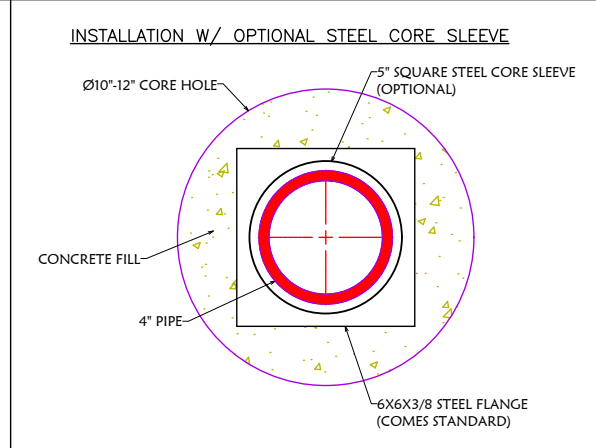




## CORED ONE LINE BARRIER GUARD STANDARD PART#: BGS-1-LENGTH-18"-CORED-24



### SIDE VIEW

**SPECIAL INSTRUCTIONS:**

QTY \_\_\_\_\_

\_\_\_\_\_

\_\_\_\_\_

\_\_\_\_\_

### FRONT VIEW

THIS DRAWING AND ALL THE INFORMATION THEREON IS THE PROPERTY OF THE IDEAL SHIELD. IS CONFIDENTIAL AND MUST NOT BE MADE PUBLIC, NOR COPIED, NOR USED, TO THE DISADVANTAGE OF SAID IDEAL SHIELD AND IS SUBJECT TO RETURN ON DEMAND.  
 COPYRIGHT 2003  
 IDEAL SHIELD ®

NO.	REVISIONS	DATE	APPROVED

2525 Clark St.  
 Detroit, MI 48209

PROJECT \_\_\_\_\_

CUSTOMER \_\_\_\_\_

DESCRIPTION  
 IDEAL SHIELD  
 ONE LINE  
 BARRIER GUARD STANDARD  
 CORED

DRAWN BY: DP	APPROVED BY:	DATE: 12/19/2022
PROJECT NO: -		SCALE:
PART:		DRAWING NO:
MATERIAL: STEEL & HDPE PLASTIC		SHEET 1 OF 1