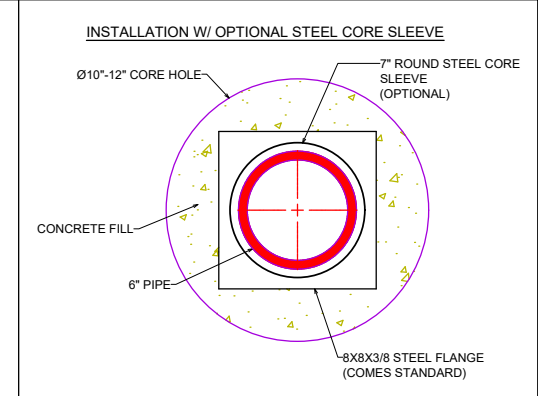
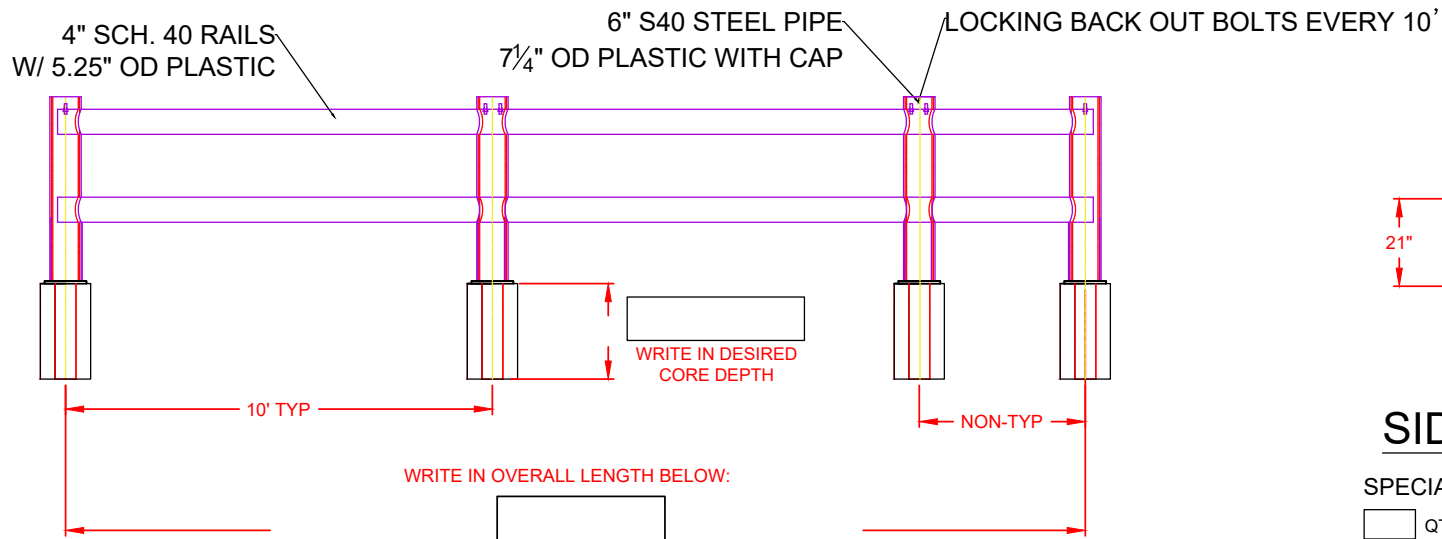




CORED TWO LINE BARRIER GUARD HEAVY PART#: BGH-2-LENGTH-42"-CORED-24

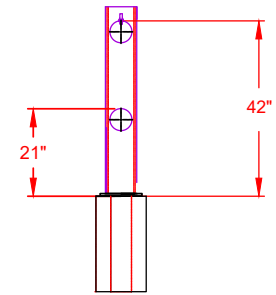


DETAIL 1



-INDIVIDUAL SECTIONS WITHOUT A MID-POST UP TO 10' LENGTH
-CONTINUOUS RUNS WITH LAYOUT AVAILABLE

FRONT VIEW



SIDE VIEW

SPECIAL INSTRUCTIONS:

QTY _____

THIS DRAWING AND ALL THE INFORMATION THEREON IS THE PROPERTY OF THE IDEAL SHIELD. IS CONFIDENTIAL AND MUST NOT BE MADE PUBLIC, NOR COPIED, NOR USED, TO THE DISADVANTAGE OF SAID IDEAL SHIELD AND IS SUBJECT TO RETURN ON DEMAND.
COPYRIGHT 2003 IDEAL SHIELD

NO.	REVISIONS	DATE	APPROVED

ideal shield
2525 Clark St.
Detroit, MI 48209

PROJECT _____

CUSTOMER _____

DESCRIPTION
**IDEAL SHIELD
BARRIER GUARD HEAVY
CORED**

DRAWN BY: DP	APPROVED BY:	DATE: 12/19/2022
PROJECT NO:		SCALE:
DRAWN:		ISSUED:
REVISION:		SHEET 1 OF 1
MATERIAL: STEEL & HDPE PLASTIC		