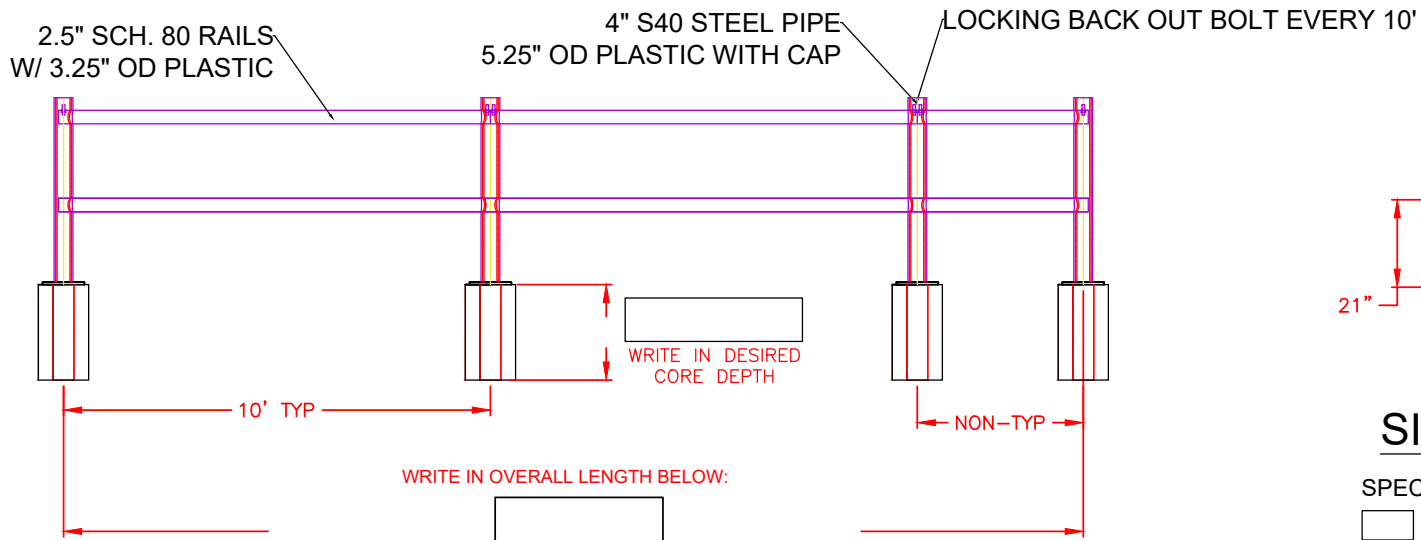
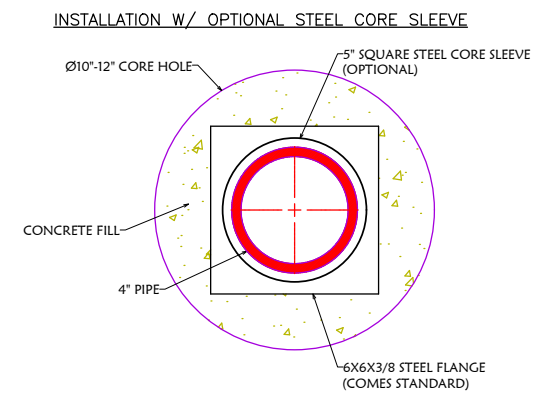
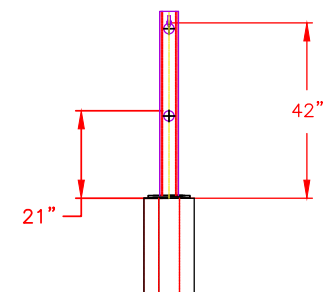




**CORED TWO LINE BARRIER GUARD STANDARD
PART#: BGS-2-LENGTH-42"-CORED-24**



DETAIL 1



SIDE VIEW

SPECIAL INSTRUCTIONS:

QTY _____

-INDIVIDUAL SECTIONS WITHOUT A MID-POST UP TO 10' LENGTH
 -CONTINUOUS RUNS WITH LAYOUT AVAILABLE

FRONT VIEW

THIS DRAWING AND ALL THE INFORMATION THEREON IS THE PROPERTY OF THE IDEAL SHIELD. IS CONFIDENTIAL AND MUST NOT BE MADE PUBLIC, NOR COPIED, NOR USED, TO THE DISADVANTAGE OF SAID IDEAL SHIELD AND IS SUBJECT TO RETURN ON DEMAND.
 COPYRIGHT 2003
 IDEAL SHIELD

NO.	REVISIONS	DATE	APPROVED



PROJECT: _____

CUSTOMER: _____

DESCRIPTION:
 IDEAL SHIELD
 BARRIER GUARD STANDARD
 TWO LINE
 CORED

DRAWN BY: DP
 PROJECT NO.: -
 DATE: 12/19/2022

DATE	BY	DESCRIPTION
12/19/2022	DP	INITIALS

INTERNAL: STEEL & HDPE PLASTIC
 SHEET 1 OF 1