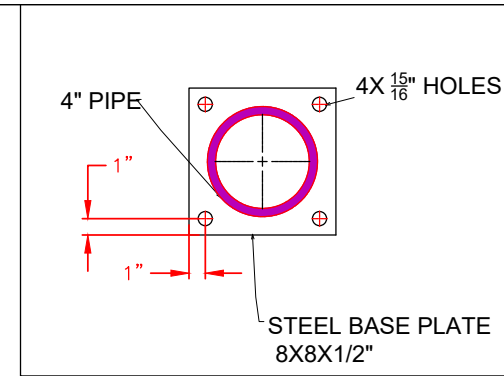
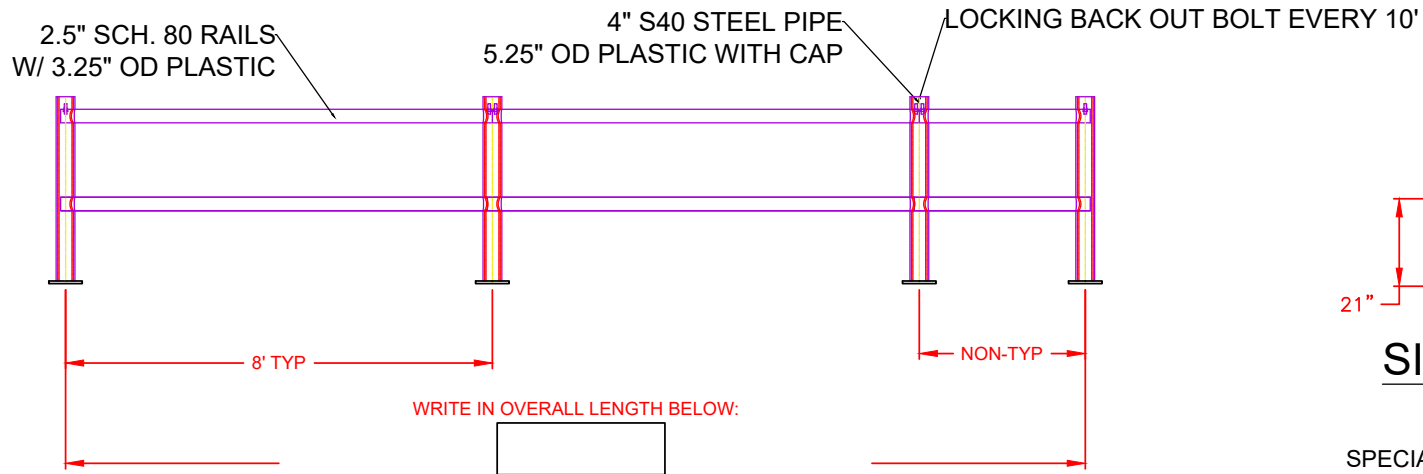




PLATED TWO LINE BARRIER GUARD STANDARD
PART#: BGS-2-LENGTH-42"-PLATED

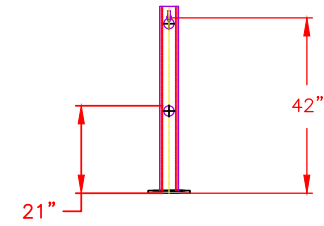


DETAIL 1



-INDIVIDUAL SECTIONS WITHOUT A MID-POST UP TO 10' LENGTH
-CONTINUOUS RUNS WITH LAYOUT AVAILABLE

FRONT VIEW



SIDE VIEW

SPECIAL INSTRUCTIONS:

QTY

THIS DRAWING AND ALL THE INFORMATION THEREON IS THE PROPERTY OF THE IDEAL SHIELD. IS CONFIDENTIAL AND MUST NOT BE MADE PUBLIC, NOR COPIED, NOR USED, TO THE DISADVANTAGE OF SAID IDEAL SHIELD AND IS SUBJECT TO RETURN ON DEMAND.
COPYRIGHT 2003
IDEAL SHIELD

NO.	REVISIONS	DATE	APPROVED

ideal SHIELD
2525 Clark St.
Detroit, MI 48209

PROJECT: _____
CUSTOMER: _____

DESCRIPTION:
IDEAL SHIELD
BARRIER GUARD HEAVY
TWO LINE
PLATED

DRAWN BY: DP
PROJECT NO.: -
DATE: _____
SCALE: _____
SHEET: _____
TOTAL SHEETS: _____
SHEET 1 OF 1

APPROVED BY: _____
DATE: _____
SCALE: _____
SHEET: _____
TOTAL SHEETS: _____
SHEET 1 OF 1

DATE: _____
SCALE: _____
SHEET: _____
TOTAL SHEETS: _____
SHEET 1 OF 1