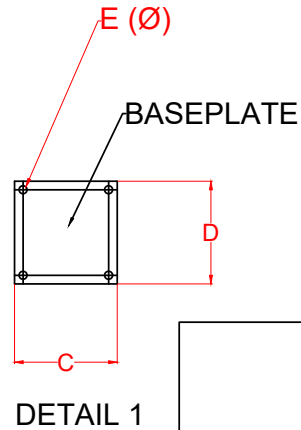
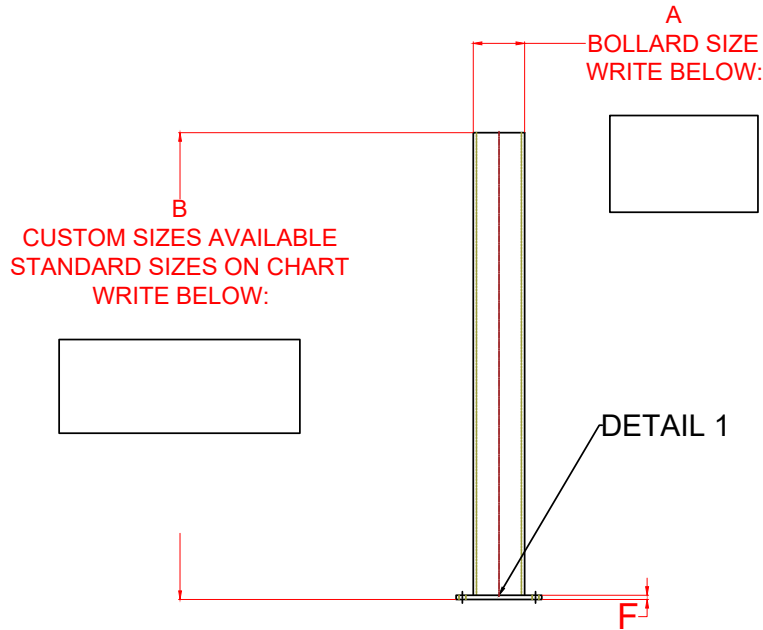




PLATED STEEL PIPE BOLLARD



QTY (WRITE BELOW):

BOLLARD COVER COLOR:

PIPE SCHEDULE (SELECT ONE):

SCH 40

SCHEDULE 80

FINISH OPTIONS PIPE (SELECT ONE):

BARE

GALVANIZED

PRIMED

*ALL BASEPLATE SHIPPED COLD GALV/ZINC SPRAY

BOLLARD COVER OPTIONS (SELECT ONE):

$\frac{1}{8}$ " BOLLARD COVER

$\frac{1}{4}$ " BOLLARD COVER

DECORATIVE BOLLARD COVER

STEEL BOLLARD AND BASEPLATE SIZE CHART

| BOLLARD SIZE | A | B | C | D | E | F |
|-----------------|--------|---------------------|-----|-----|-------------------|-----------------|
| 4" PIPE BOLLARD | 4.5" | 52",48",42",36",27" | 8" | 8" | $\frac{15}{16}$ " | $\frac{1}{2}$ " |
| 5" PIPE BOLLARD | 5.563" | 52",48",42",36",27" | 10" | 10" | $\frac{15}{16}$ " | $\frac{5}{8}$ " |
| 6" PIPE BOLLARD | 6.625" | 52",48",42",36",27" | 10" | 10" | $\frac{15}{16}$ " | $\frac{5}{8}$ " |
| 8" PIPE BOLLARD | 8.625" | 52",48",42",36",27" | 12" | 12" | $\frac{15}{16}$ " | $\frac{3}{4}$ " |

THIS DRAWING AND ALL THE INFORMATION THEREON IS THE PROPERTY OF THE IDEAL SHIELD, IS CONFIDENTIAL AND MUST NOT BE MADE PUBLIC, NOR COPIED, NOR USED, TO THE DISADVANTAGE OF SAID IDEAL SHIELD AND IS SUBJECT TO RETURN ON DEMAND.
COPYRIGHT 2020
IDEAL SHIELD

| NO. | REVISIONS | DATE | APPROVED |
|-----|-----------|------|----------|
| | | | |
| | | | |
| | | | |
| | | | |
| | | | |

idealSHIELD
2525 Clark St.
Detroit, MI 48209

PROJECT

CUSTOMER

DESCRIPTION

DESIGNED BY: D.P.
PROJECT NO.
DATE: 8/11/2020

APPROVED BY:
SCALE:
DRAWING NO.:
SHEET: OF: